

Lavatory Carrier



520-09-M24-M25

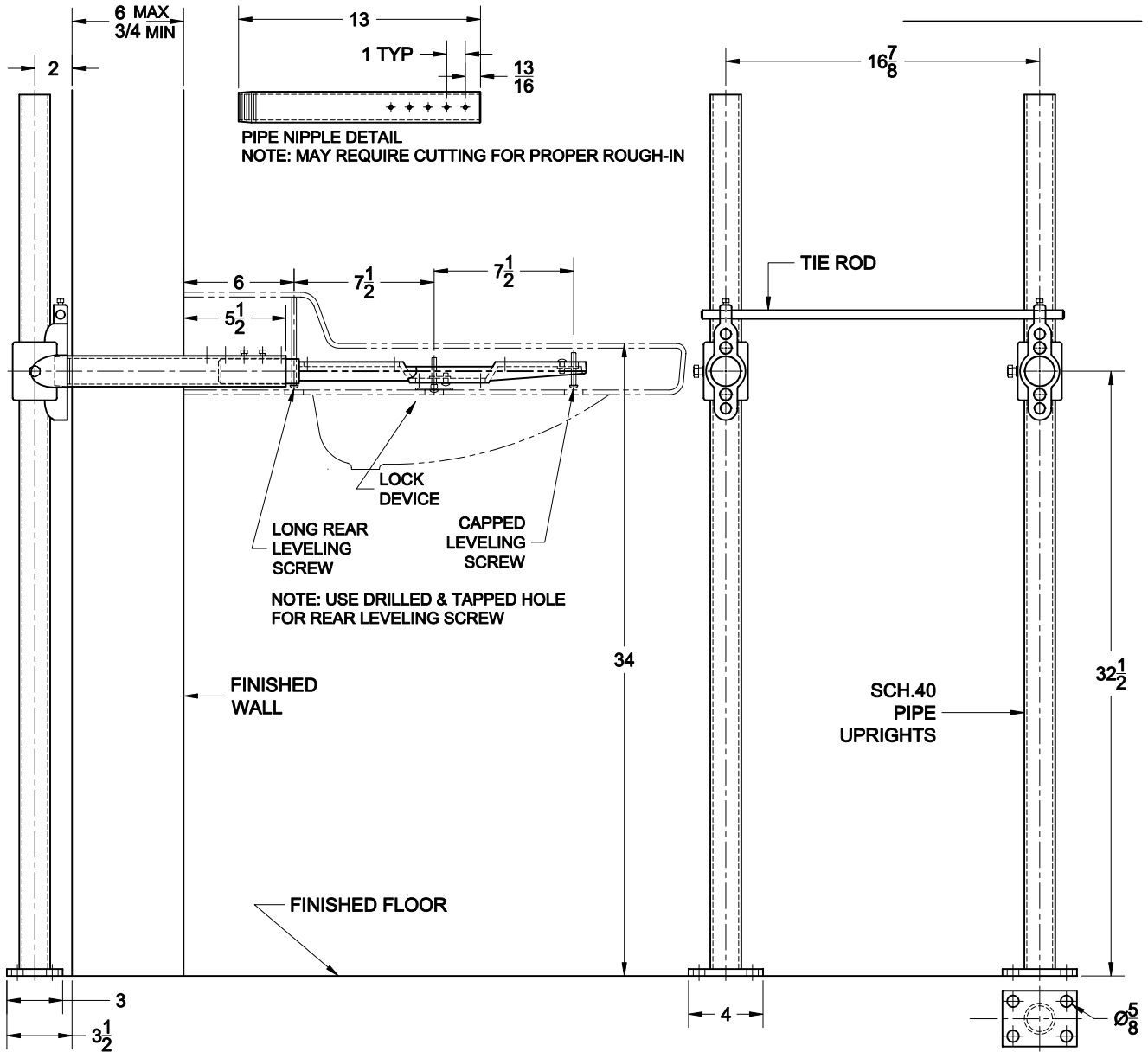
Concealed arm lavatory carrier with pipe uprights, welded base feet and leveling/locking hardware.

FIXTURE

Manufacturer CRANE

Name WHEELCHAIR No. 1H-360

Style LAVATORY



OPTIONS

Cat. No.	Type	Wt. Lbs.	Suffix	Description
<input type="checkbox"/> 520-09-M24-M25	Single	36.0	<input type="checkbox"/> M36	Rectangular Steel Uprights
			<input type="checkbox"/>	

AutoCad.dwg