

Lavatory Carrier



520-07-M19

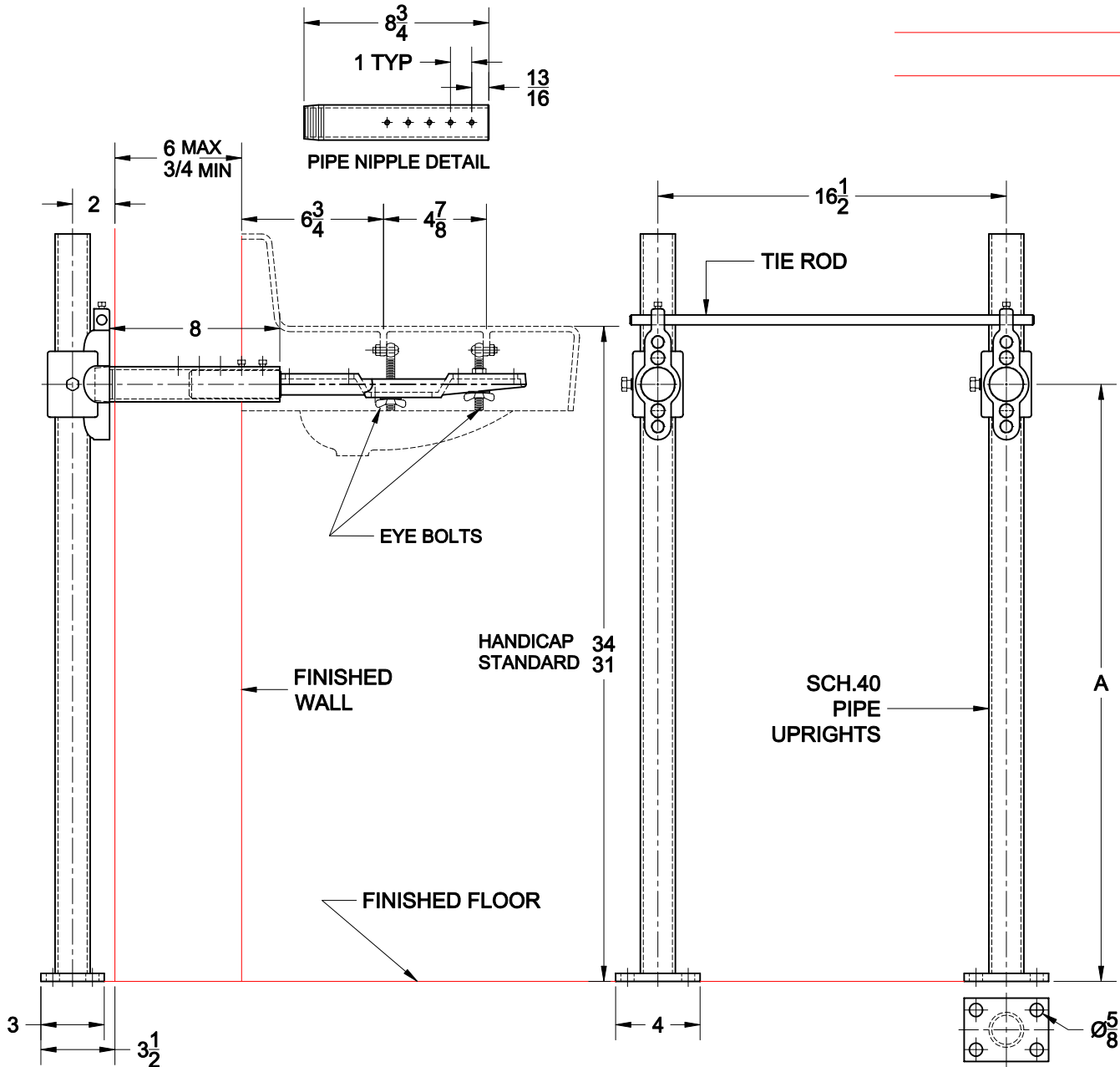
Concealed arm lavatory carrier with pipe uprights, welded base feet and level/lock hardware.

FIXTURE

Manufacturer Kohler

Name Hudson No. K-2867

Style Lavatory K-2868



DIMENSION A Must be determined at job site - Eljer Rough-In does not provide dimensions from centerline of lug holes to top of sink. Contractor is responsible for determining appropriate dimension.

OPTIONS

Cat. No.	Type	Wt. Lbs.	Suffix	Description
<input type="checkbox"/> 520-07-M19	Single	36.0	<input type="checkbox"/> M36	Rectangular Steel Uprights
			<input type="checkbox"/>	

AutoCad.dwg