

URINAL CARRIER



420-AM11

HANGER PLATE CARRIER WITH PIPE UPRIGHTS,
WELDED BASE FEET & HARDWARE.

FIXTURE

Manufacturer Crane

Name Eco Richland No. 7120

Style Urinal

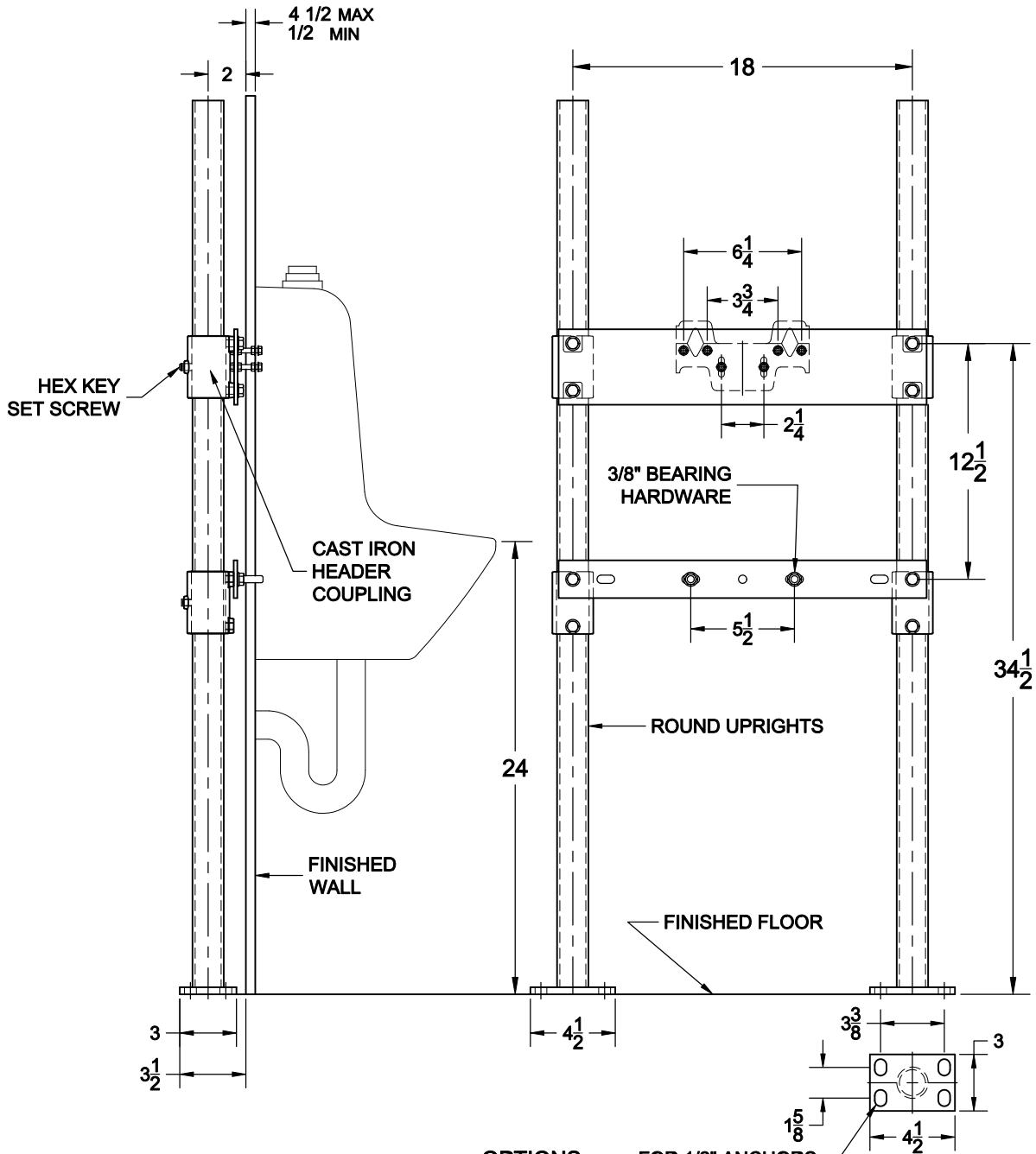
Approval
Date

Customer
Approval

Job
Location

Job
Name

Wade Division / Tyler Pipe Assumes No Responsibility For Superseded or Voided Data
Dimensional Data (Inches/mm) are Subject to Manufacturers Tolerance and Change Without Notice.



OPTIONS FOR 1/2" ANCHORS

Cat. No.	Type	Wt. Lbs.	Suffix	Description
<input type="checkbox"/> 420-AM11	SGL	30.0	<input type="checkbox"/> M36	SQUARE UPRIGHTS

NOTE: CONTRACTOR MUST VERIFY DIMENSIONS WITH FIXTURE MANUFACTURER ROUGH-IN DATA
TYLER PIPE / WADE DIVISION ACCEPTS NO RESPONSIBILITY FOR ANY INACCURACIES IN DRAWING

AutoCad.dwg