

# LAVATORY CARRIER



Approval Date

Customer Approval

Job Location

Job Name

Dimensional Data (Inches/mm) are Subject to Manufacturers Tolerance and Change Without Notice. Wade Division / Tyler Pipe Assumes No Responsibility For Superseded or Voided Data

420

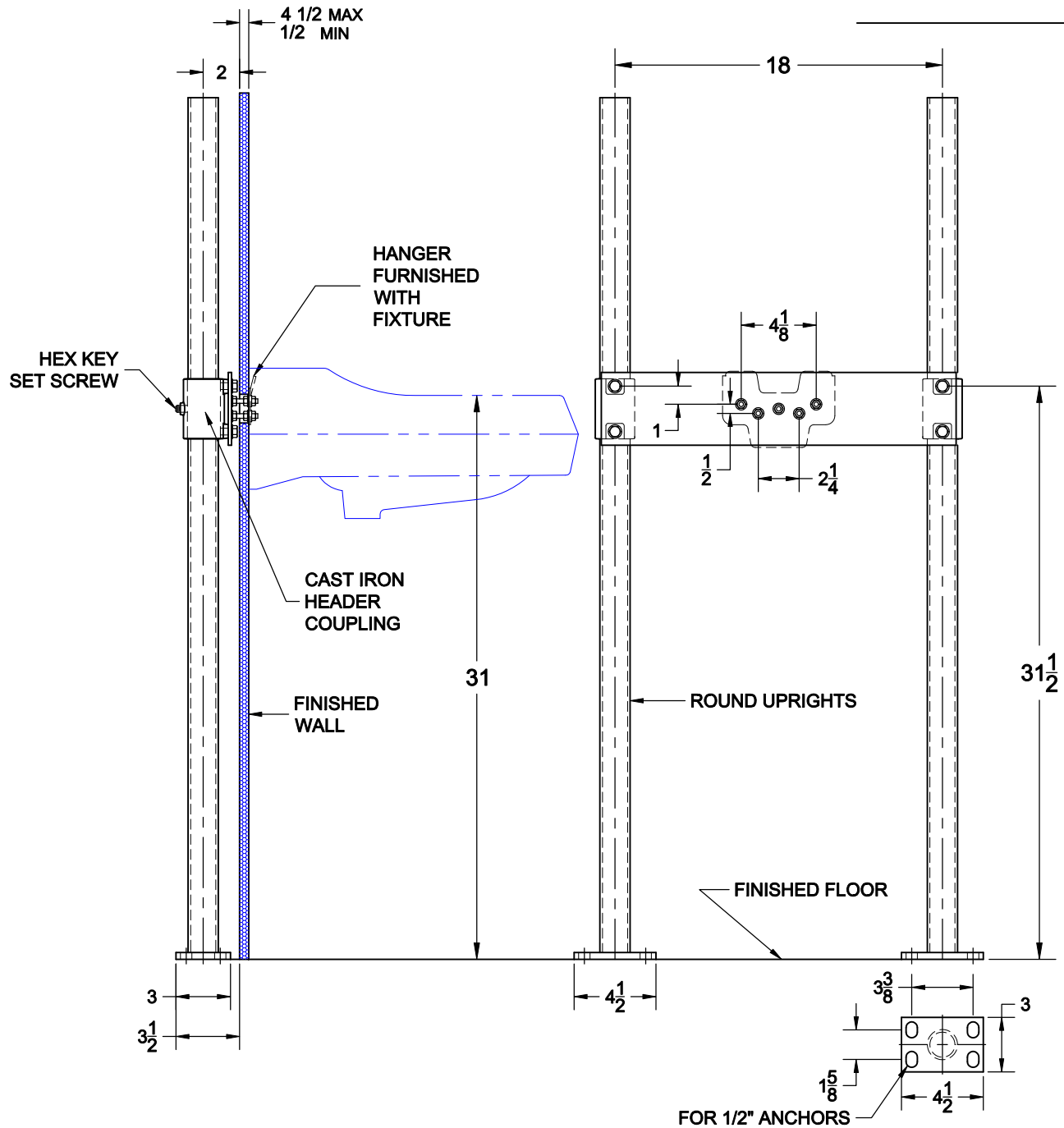
HANGER PLATE CARRIER WITH PIPE UPRIGHTS, WELDED BASE FEET & HARDWARE.

FIXTURE

Manufacturer Eljer

Name Terry No. 051-1384

Style Lavatory



**OPTIONS**

Cat. No.	Type	Wt. Lbs.	Suffix	Description
<input type="checkbox"/> 420	SGL	30.0	<input type="checkbox"/> M36	SQUARE UPRIGHTS

NOTE: CONTRACTOR MUST VERIFY DIMENSIONS WITH FIXTURE MANUFACTURER ROUGH-IN DATA  
 TYLER PIPE / WADE DIVISION ACCEPTS NO RESPONSIBILITIES FOR ANY INACCURACIES IN DRAWING

AutoCad.dwg