

# Urinal Carrier



400

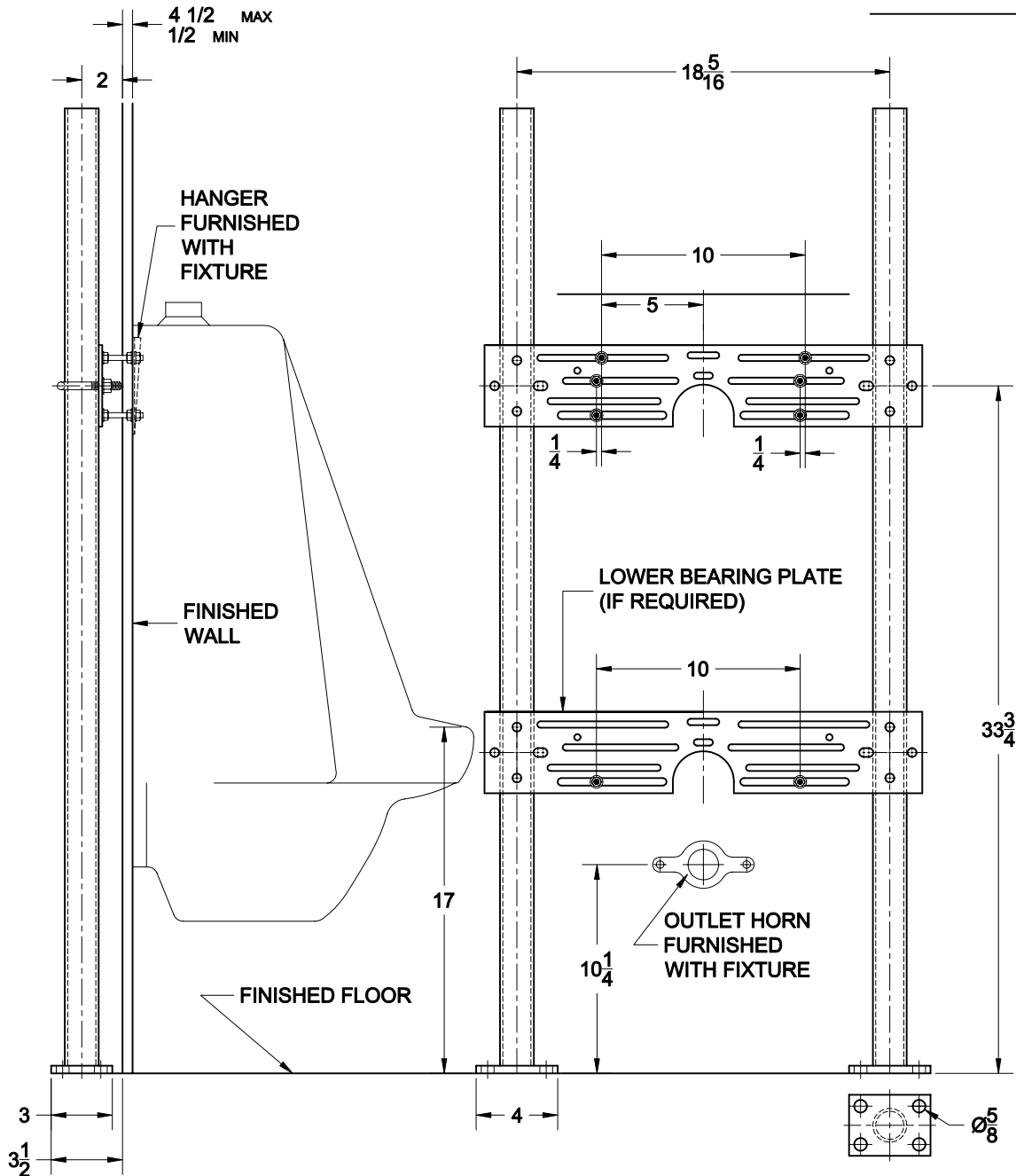
Hanger plate carrier with pipe uprights, welded base feet and hanger support hardware

FIXTURE

Manufacturer Crane

Name Lansing No. 7167

Style Urinal



### OPTIONS

Cat. No.	Type	Wt. Lbs.	Suffix	Description
<input type="checkbox"/> 400	Single	35.0	<input type="checkbox"/> M36	Rectangular Steel Uprights
			<input type="checkbox"/> AM11	Lower Bearing Support Plate & Hardware

AutoCad.dwg