

SINK CARRIER



Approval Date

Customer Approval

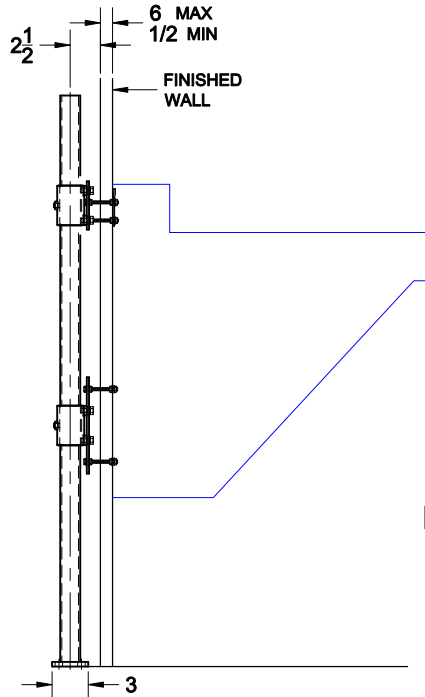
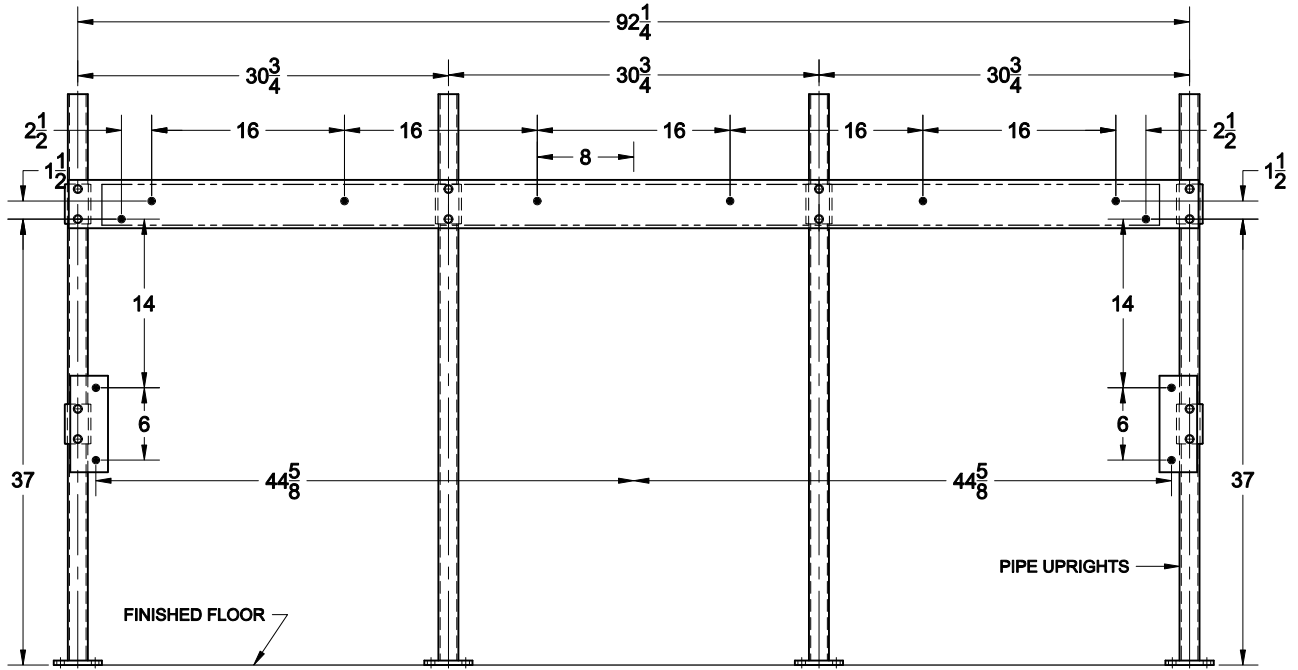
Job Location

Job Name

Wade Division / Tyler Pipe Assumes No Responsibility For Superseded or Voided Data
Dimensional Data (Inches/mm) are Subject to Manufacturers Tolerance and Change Without Notice.

634-AM11

SCRUB SINK CARRIER WITH PIPE UPRIGHTS, WELDED BASE FEET, HANGER SUPPORT PLATE, ARM SUPPORT PLATES AND SUPPORT HARDWARE.



FIXTURE

Manufacturer ELKAY

Name 3 STATION No. EWSF39026

Style SCRUB SINK EWSF39026SACC