

Lavatory Carrier



420-AM11-M29

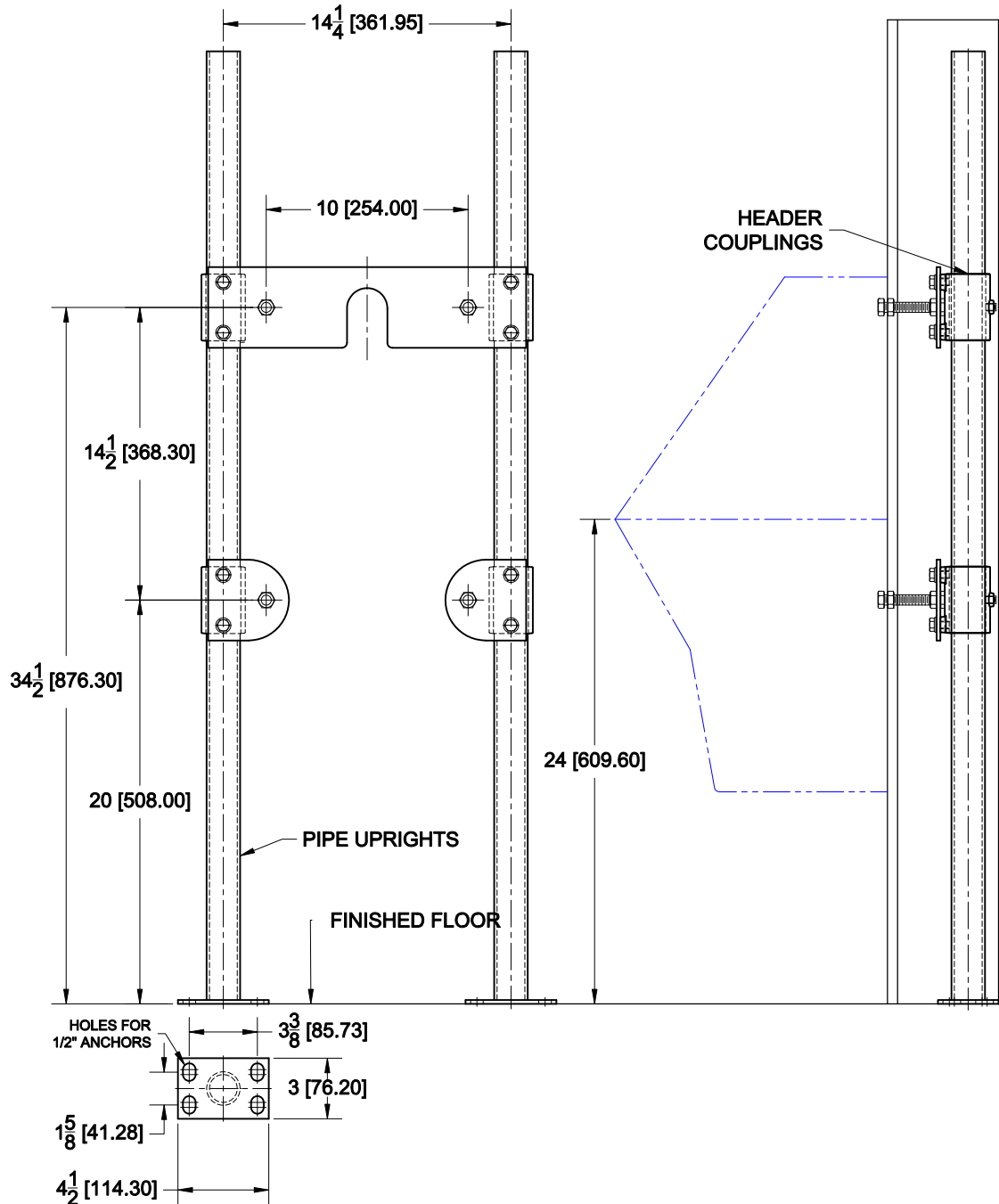
Hanger plate carrier with pipe uprights, welded base feet and fixture support hardware.

FIXTURE

Manufacturer BRADLEY

Name PENAL-WARE No. URI8000

Style URINAL URI8100



OPTIONS

Cat. No.	Type	Wt. Lbs.
<input type="checkbox"/> 420-AM11-M29	Single	45.0

Suffix	Description
<input type="checkbox"/> M36	Rectangular Steel Uprights
<input type="checkbox"/>	

AutoCad.dwg