

Washfountain Carrier



630-AM12

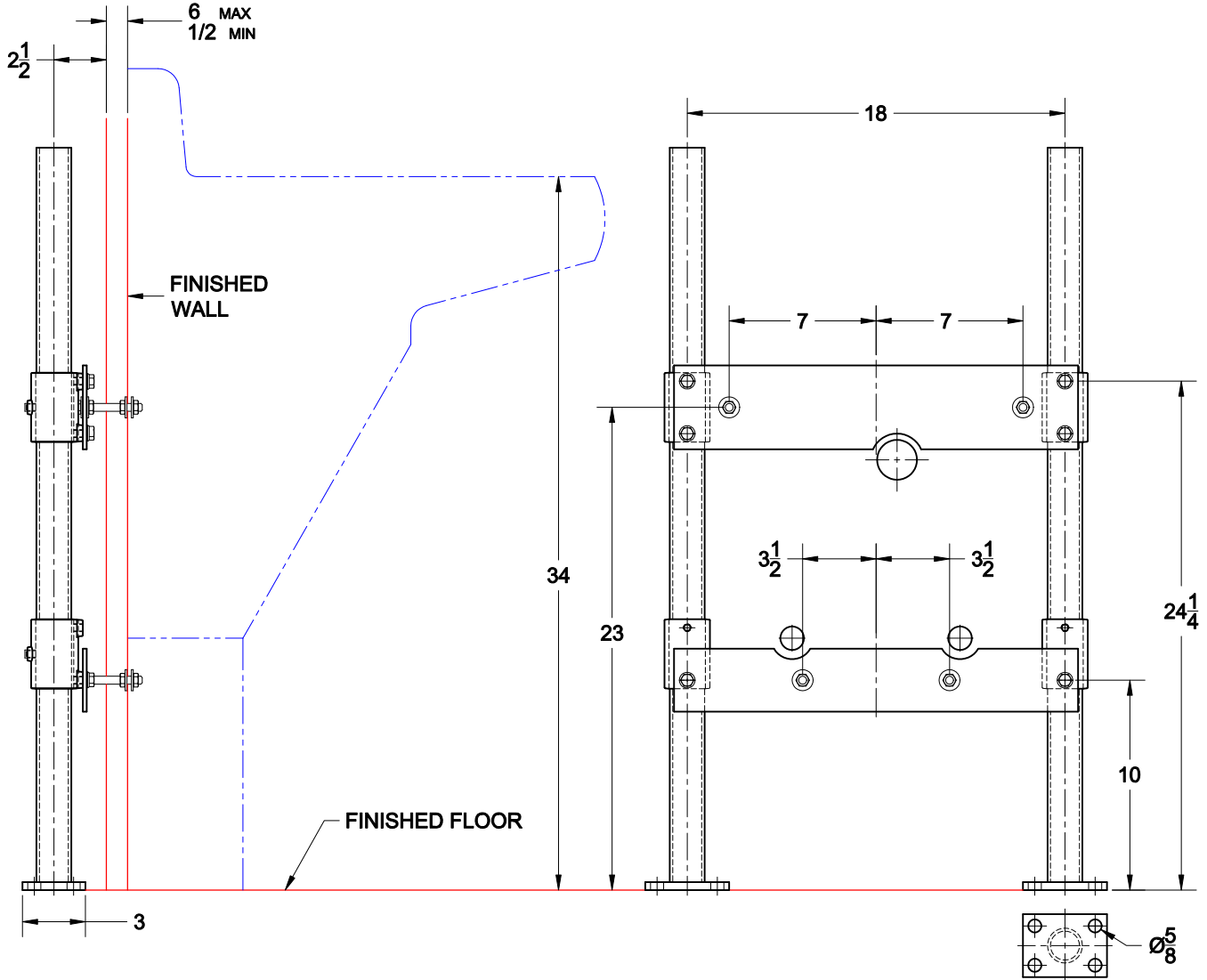
Hanger plate carrier with pipe uprights, welded base feet, lower support plate & fixture support hardware.

FIXTURE

Manufacturer Bradley

Name Terreon No. TDB3103

Style Semi-Circular WF3203



OPTIONS

Cat. No.	Type	Wt. Lbs.
<input type="checkbox"/> 630-AM11	SINGLE	59.0

Suffix	Description
<input type="checkbox"/> M36	Rectangular Steel Uprights
<input type="checkbox"/>	

AutoCad.dwg