

Lavatory Carrier



520-08

Concealed arm carrier with pipe uprights,
leveling screws, lock device & welded base feet.

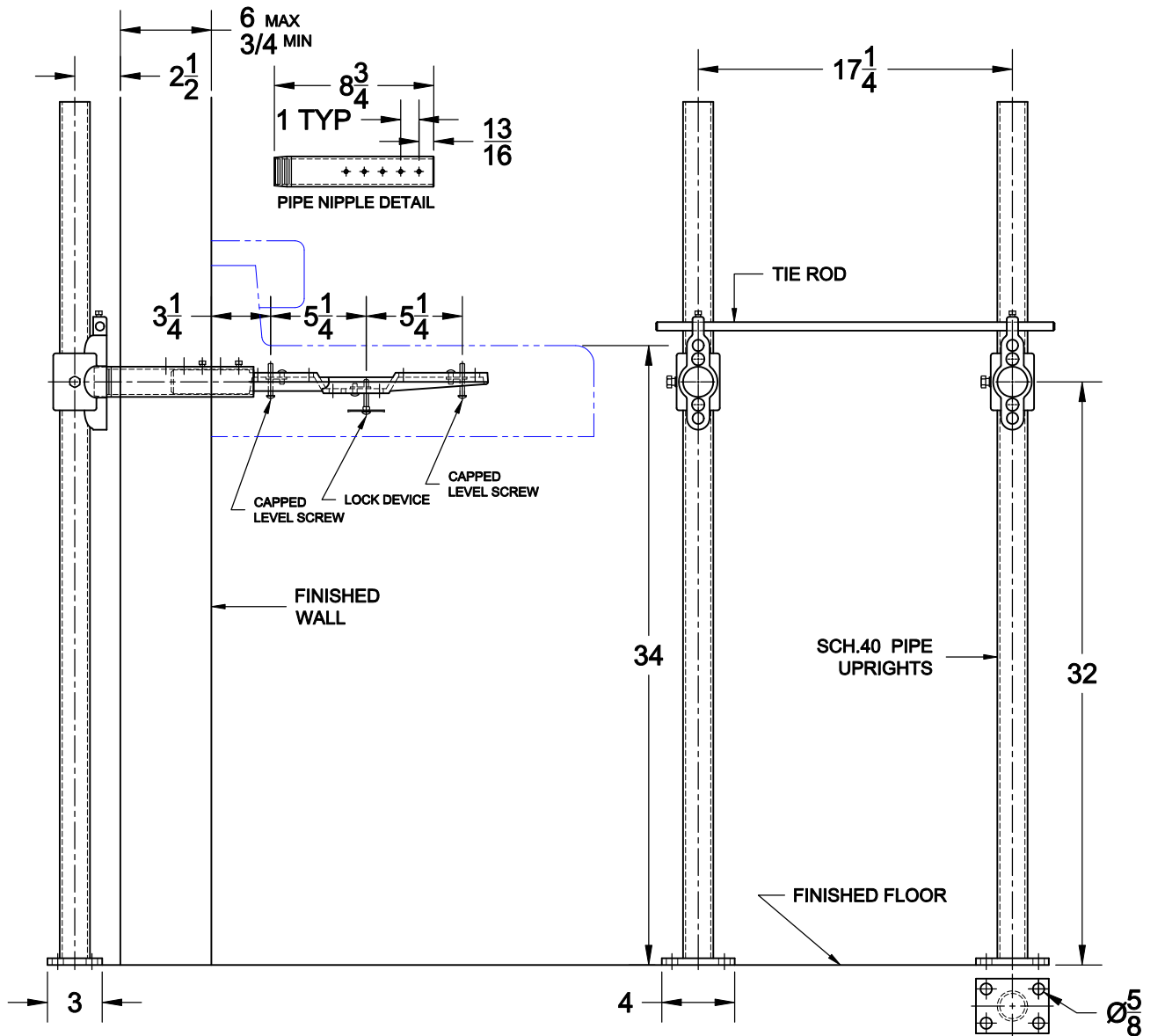
FIXTURE

Manufacturer Bradley

Name Express No. SS-1

Style Lavatory SS-1/IR

SS-1/BIR



OPTIONS

Cat. No.	Type	Wt. Lbs.	Suffix	Description
<input type="checkbox"/> 520-08	Single	36.0	<input type="checkbox"/> M36	Rectangular Steel Uprights
			<input type="checkbox"/>	