

# LAVATORY CARRIER



401

UNIVERSAL HANGER PLATE CARRIER WITH  
PIPE UPRIGHTS, WELDED BASE FEET AND  
SUPPORT HARDWARE

FIXTURE

Manufacturer KOHLER

Name HUDSON No. K-2810

Style LAVATORY K-2849

K-2869

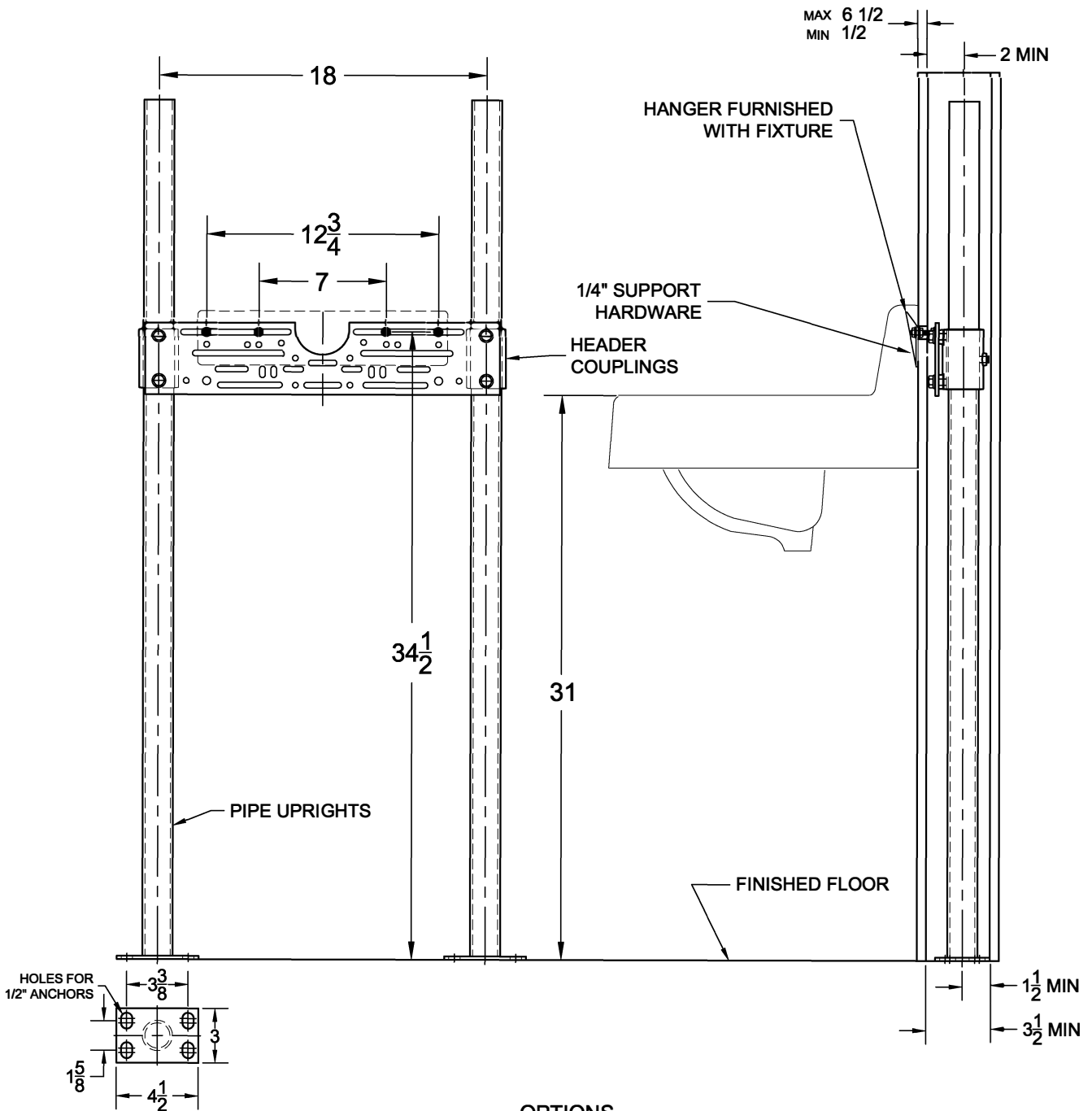
Approval  
Date

Customer  
Approval

Job  
Location

Job  
Name

Dimensional Data (inches/mm) are Subject to Manufacturers Tolerance and Change Without Notice.



OPTIONS

Cat. No.	Type	Wt. Lbs.	Suffix	Description
<input type="checkbox"/> 401	SGL	30.0	<input type="checkbox"/> M36	SQUARE UPRIGHTS

NOTE: CONTRACTOR MUST VERIFY DIMENSIONS WITH FIXTURE MANUFACTURER ROUGH-IN DATA  
WADE DIVISION ACCEPTS NO RESPONSIBILITY FOR ANY INACCURACIES IN DRAWING

AutoCad.dwg