

LAVATORY CARRIER



401-M29

HANGER PLATE CARRIER WITH PIPE UPRIGHTS,
WELDED BASE FEET & HARDWARE.

FIXTURE

Manufacturer Kohler

Name Parigi No. K-2175

Style Lavatory

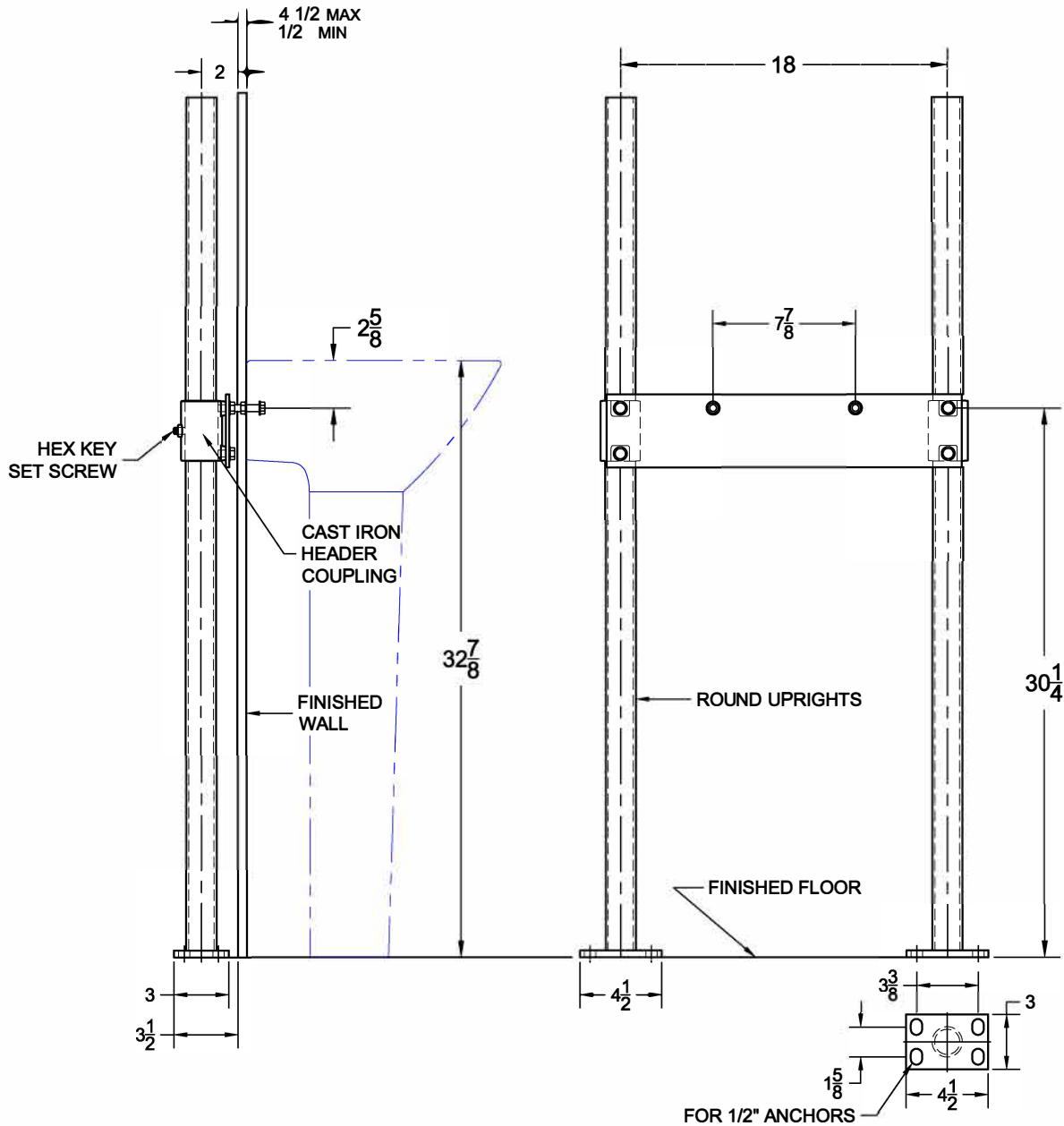
Approval
Date

Customer
Approval

Job
Location

Job
Name

Dimensional Data (Inches/mm) are Subject to Manufacturers Tolerance and Change Without Notice.



OPTIONS

| Cat. No. | Type | Wt. Lbs. | Suffix | Description |
|----------------------------------|------|----------|------------------------------|-----------------|
| <input type="checkbox"/> 420-M29 | SGL | 30.0 | <input type="checkbox"/> M36 | SQUARE UPRIGHTS |

NOTE: CONTRACTOR MUST VERIFY DIMENSIONS WITH FIXTURE MANUFACTURER ROUGH-IN DATA
WADE DIVISION ACCEPTS NO RESPONSIBILITY FOR ANY INACCURACIES IN DRAWING

AutoCad.dwg