

LAVATORY CARRIER



401

UNIVERSAL HANGER PLATE CARRIER WITH PIPE UPRIGHTS, WELDED BASE FEET AND SUPPORT HARDWARE

FIXTURE

Manufacturer AMERICAN STANDARD

Name REGALYN No. 4867.004

Style LAVATORY 4867.008

4869.004

4869.008

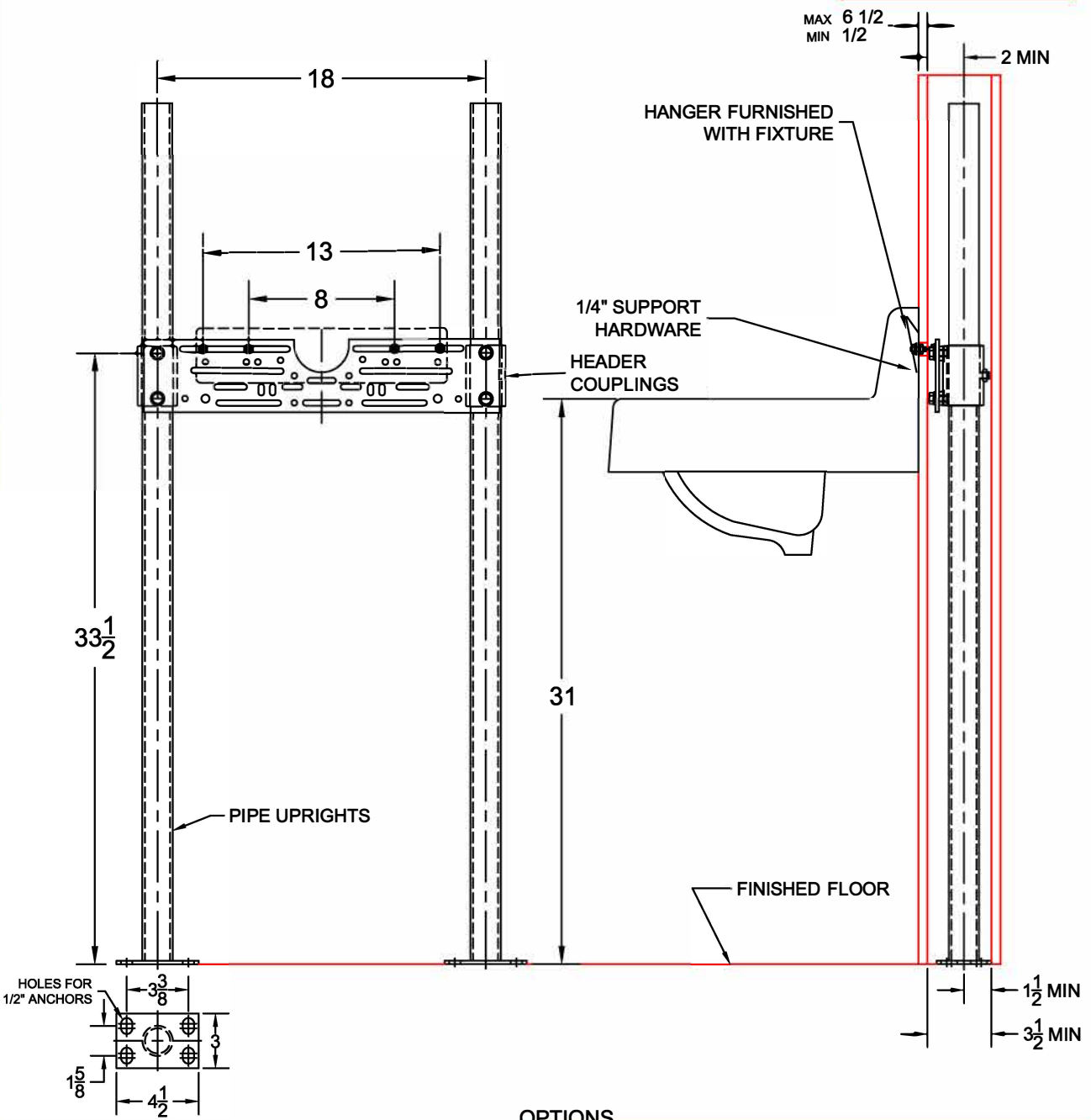
Approval Date

Customer Approval

Job Location

Job Name

Dimensional Data (Inches/mm) are Subject to Manufacturers Tolerance and Change Without Notice.



OPTIONS

Cat. No.	Type	Wt. Lbs.	Suffix	Description
<input type="checkbox"/> 401	SGL	30.0	<input type="checkbox"/> M36	SQUARE UPRIGHTS

NOTE: CONTRACTOR MUST VERIFY DIMENSIONS WITH FIXTURE MANUFACTURER ROUGH-IN DATA
TYLER PIPE / WADE DIVISION ACCEPTS NO RESPONSIBILITY FOR ANY INACCURACIES IN DRAWING

AutoCad.dwg