

# SINK CARRIER



640

SHEET 2 OF 3

CLINICAL SERVICE SINK CARRIER WITH STEEL UPRIGHTS,  
CLOSET COUPLING, SUPPORT HARDWARE,  
NEOPRENE BOWL GASKET & FINISH TRIM.

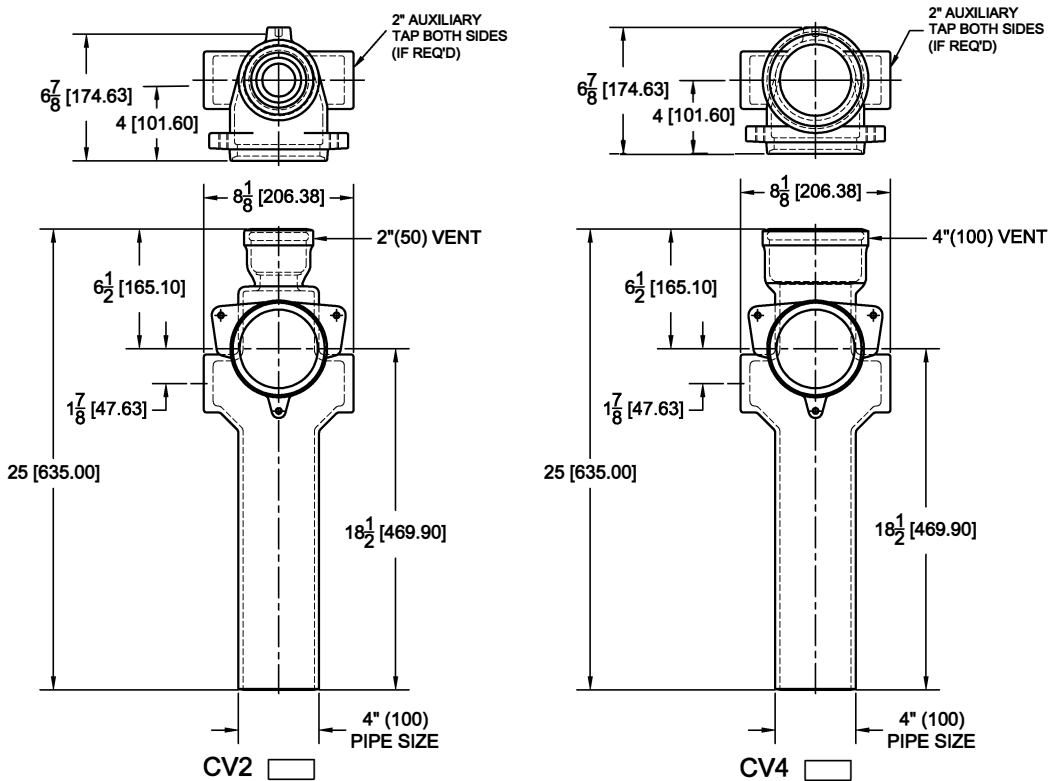
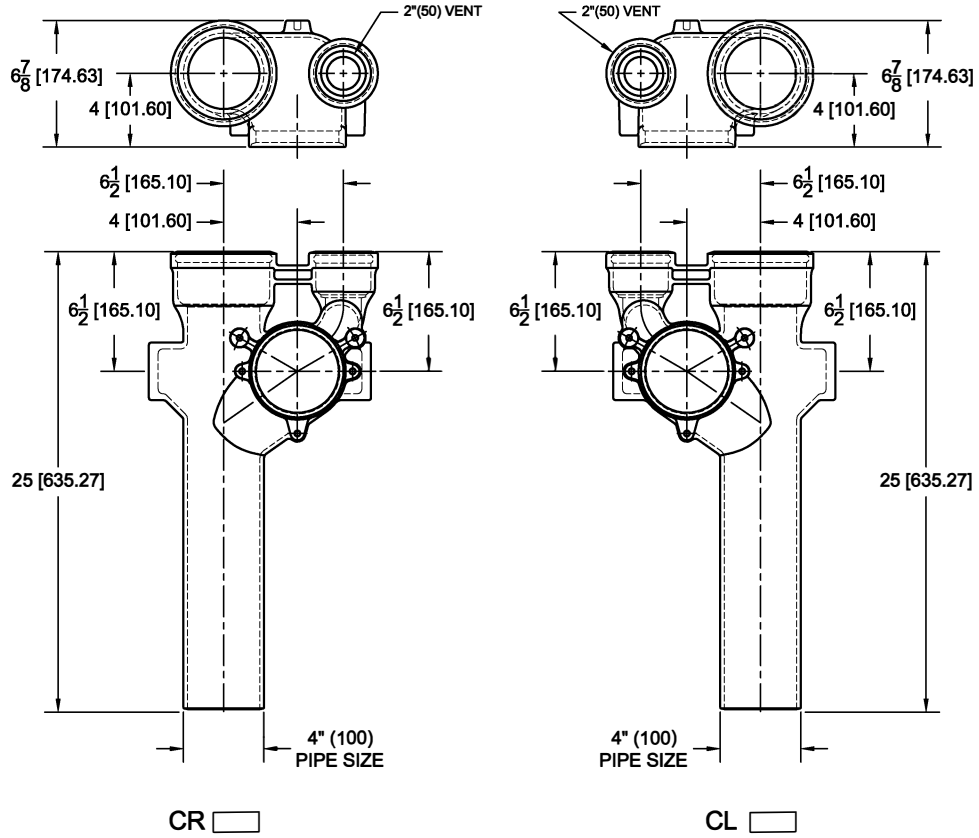
Approval  
Date

Customer  
Approval

Job  
Location

Job  
Name

Dimensional Data (Inches/mm) are Subject to Manufacturers Tolerance and Change Without Notice.



AutoCad.dwg