

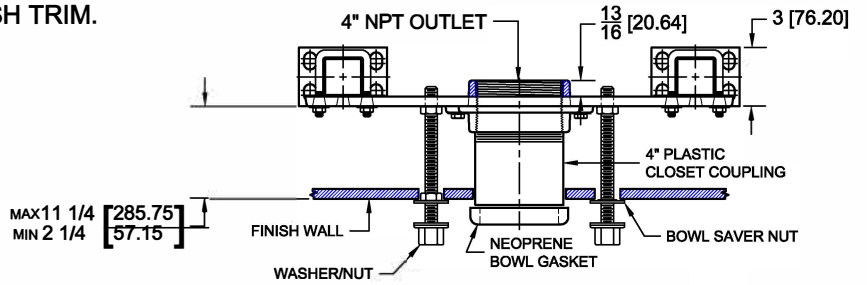
SINK CARRIER



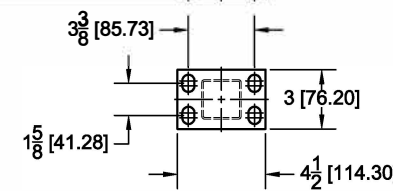
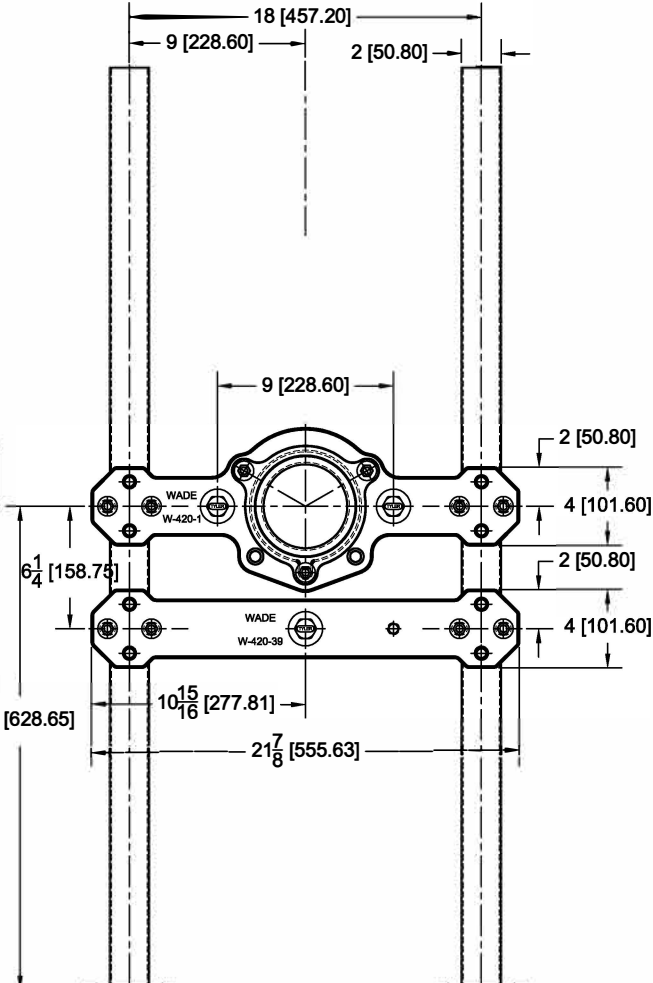
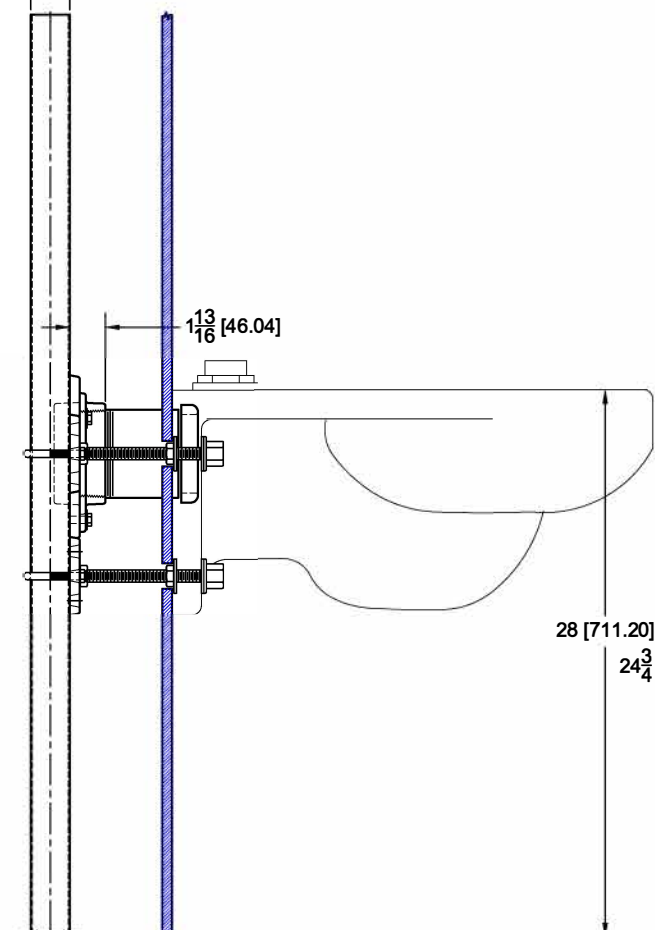
640

SHEET 1 OF 3

CLINICAL SERVICE SINK CARRIER WITH STEEL UPRIGHTS,
CLOSET COUPLING, SUPPORT HARDWARE,
NEOPRENE BOWL GASKET & FINISH TRIM.



2 [50.80]



Dimensional Data (Inches/mm) are Subject to Manufacturers Tolerance and Change Without Notice.

Approval
Date

Customer
Approval

Job
Location

Job
Name

FIXTURE

Manufacturer AMERICAN STANDARD

Name CLINIC No. 9512.013

Style SERVICE SINK

Cat. No.	Type	Wt. Lbs.
----------	------	----------

640	SINGLE	45.0
-----	--------	------

SEE SHEETS 2 & 3 FOR OPTIONAL FITTINGS