

# SERVICE SINK CARRIER



Approval Date

Customer Approval

Job Location

Job Name

Dimensional Data (Inches/mm) are Subject to Manufacturers Tolerance and Change Without Notice. Wade Division / Tyler Pipe Assumes No Responsibility For Superseded or Voided Data

**630-AM11**

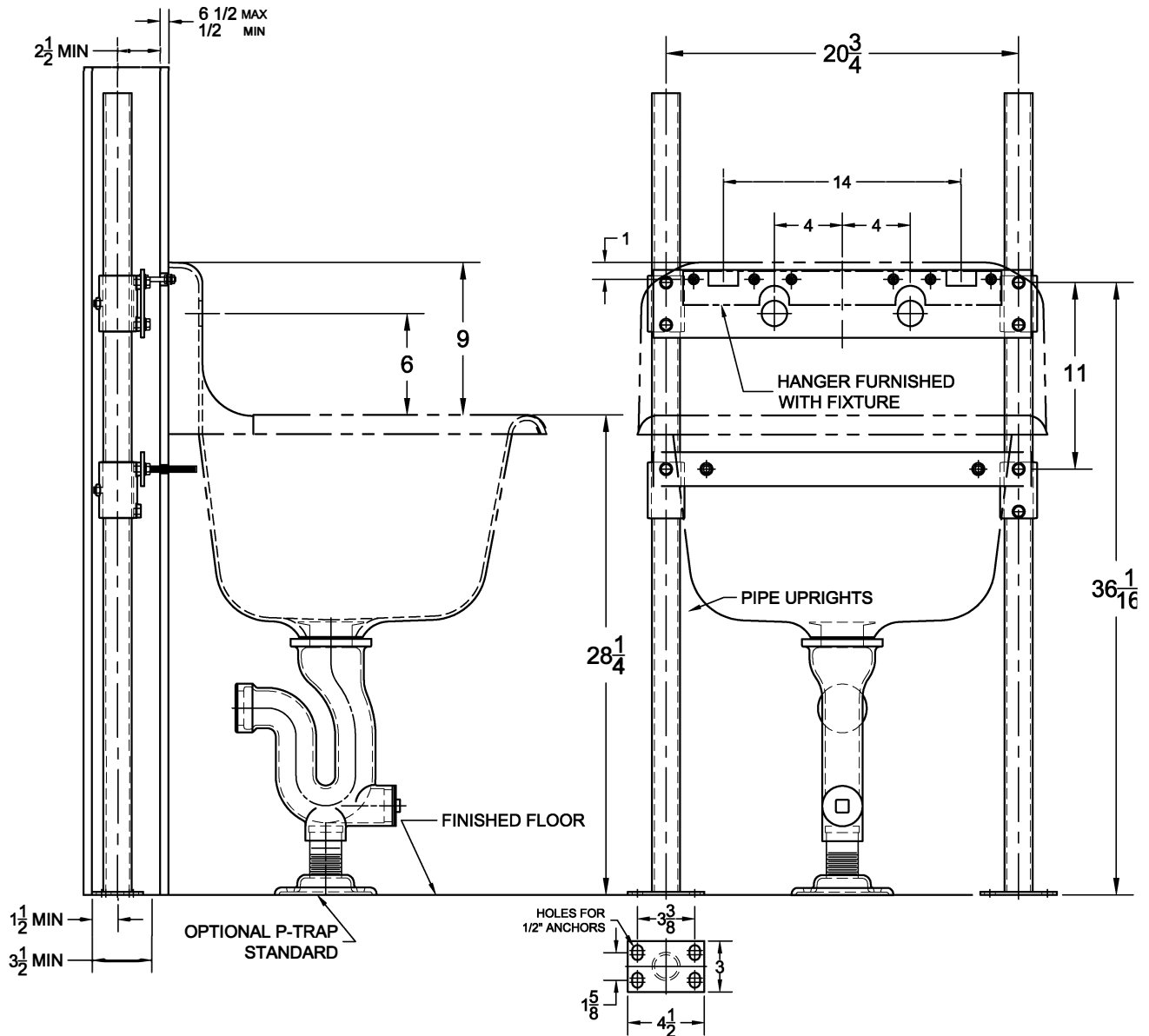
HANGER PLATE CARRIER WITH PIPE UPRIGHTS, WELDED BASE FEET, A.R.E. EXPOSED ARMS AND SUPPORT HARDWARE.

## FIXTURE

Manufacturer American Standard

Name Akron No. 7695.000

Style Service Sink 7695.008



### OPTIONS

Cat. No.	Type	Wt. Lbs.	Suffix	Description
630-AM11	SGL	59.0	M36	SQUARE UPRIGHTS

NOTE: CONTRACTOR MUST VERIFY DIMENSIONS WITH FIXTURE MANUFACTURER ROUGH-IN DATA TYLER PIPE / WADE DIVISION ACCEPTS NO RESPONSIBILITY FOR ANY INACCURACIES IN DRAWING

AutoCad.dwg