

LAVATORY CARRIER



401

LAVATORY CARRIER WITH SCH.40 PIPE UPRIGHTS, HEADER COUPLINGS, SUPPORT PLATE AND WELDED BASE FEET
AMERICAN STANDARD 0421.067 PRISION LAVATORY

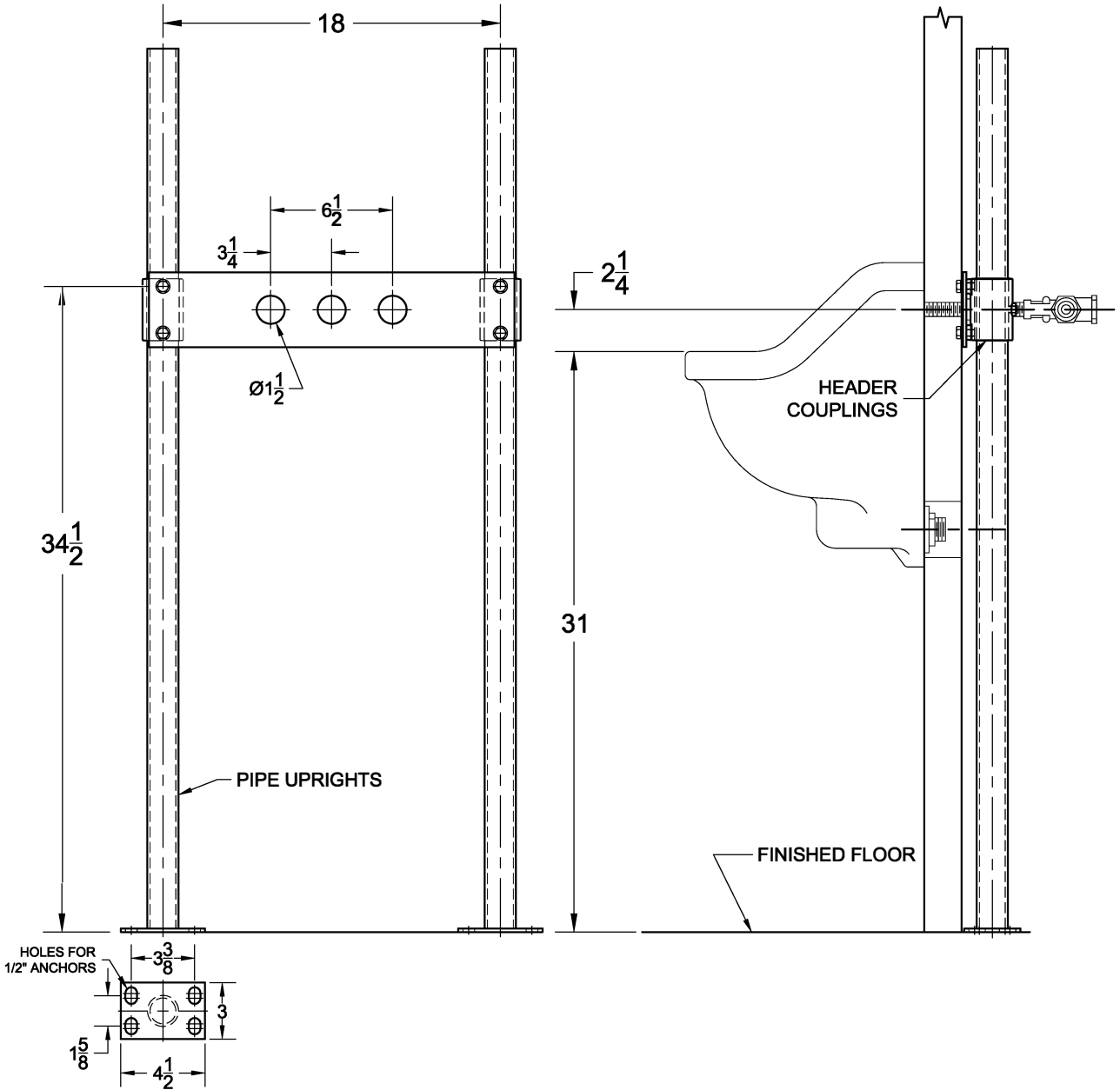
Approval
Date

Customer
Approval

Job
Location

ob
me

Dimensional Data (Inches/mm) are Subject to Manufacturers Tolerance and Change Without Notice.



2a

AutoCad.dwg