

Lavatory Carrier



520-07

Concealed arm carrier with pipe uprights,
leveling screws, lock device & welded base feet.

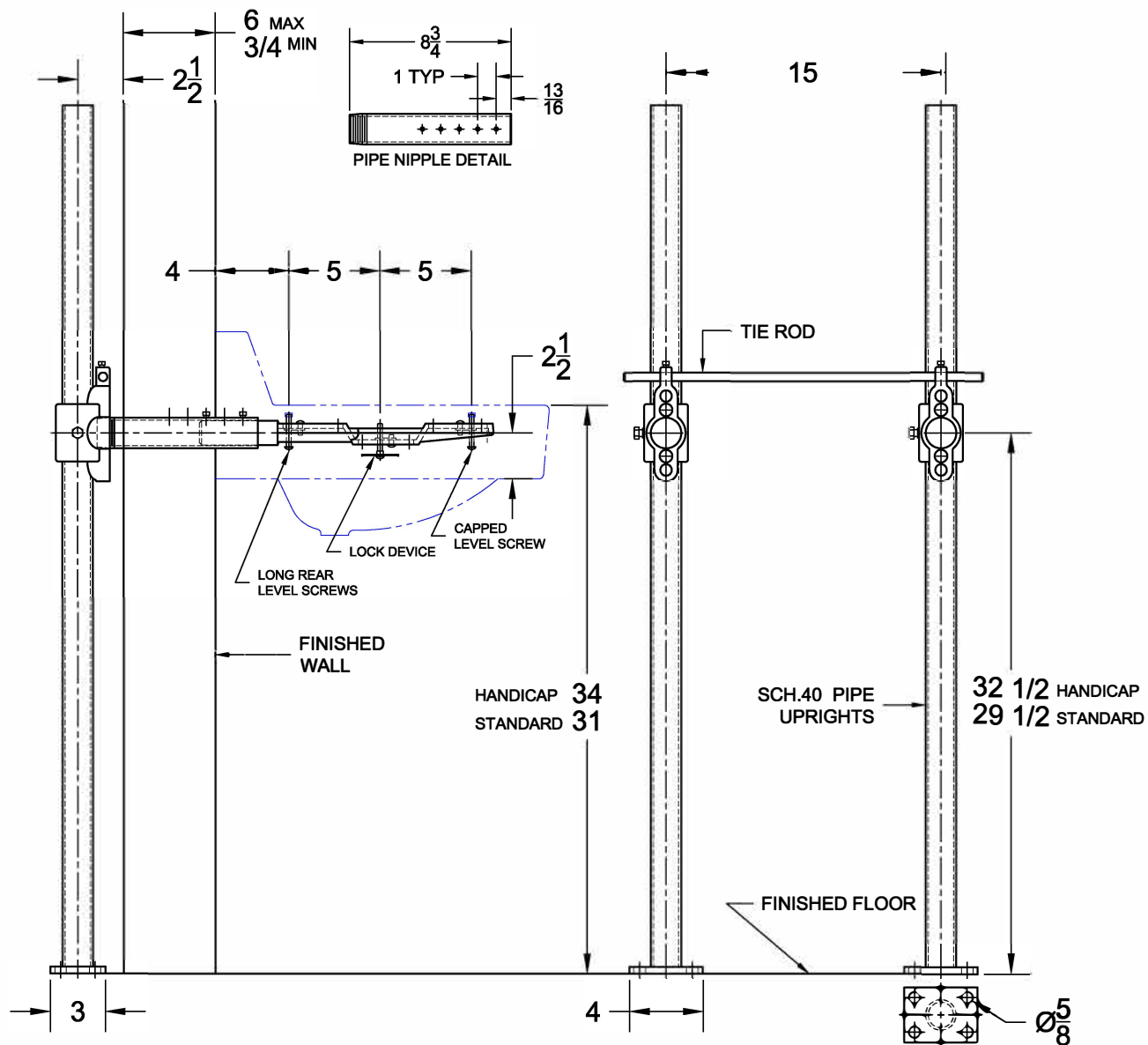
FIXTURE

Manufacturer AMERICAN STANDARD

Name PENYLN No. 0373.050

Style LAVATORY 0350.950

NOTE: ROUGH IN DIMENSIONS MUST BE VERIFIED WITH FIXTURE
MANUFACTURERS LITERATURE - WADE ACCEPTS NO RESPONSIBILITY
FOR ANY INACCURACIES IN THIS IN THIS DRAWING



OPTIONS

Cat. No.	Type	Wt. Lbs.	Suffix	Description
<input type="checkbox"/> 520-07	Single	36.0	<input type="checkbox"/> M36	Rectangular Steel Uprights
			<input type="checkbox"/> M25	Longer Rear Leveling Screws