

# Lavatory Carrier



520-08-M25

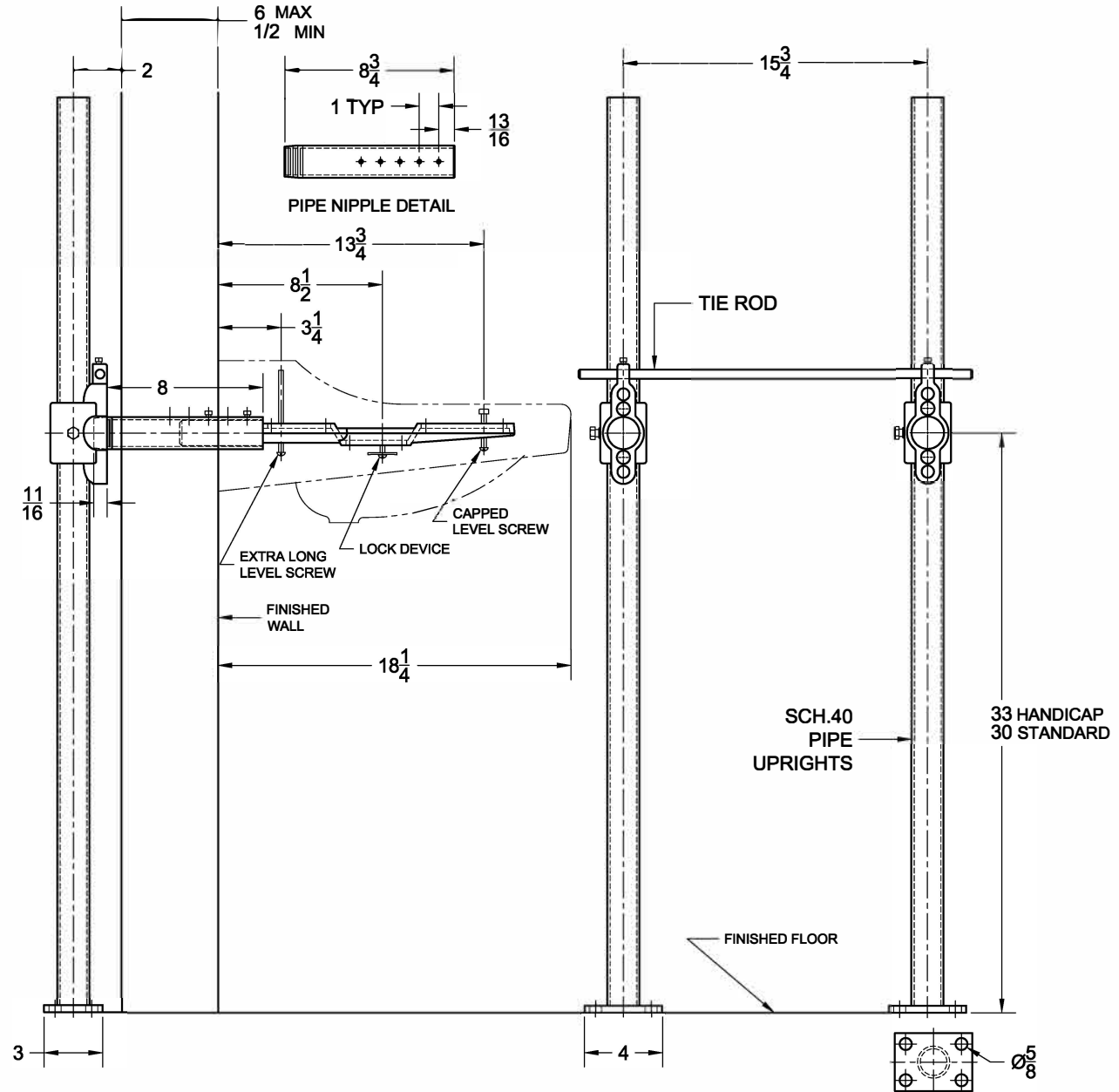
Concealed arm lavatory with pipe uprights,  
welded base feet and level/lock hardware

FIXTURE

Manufacturer Kohler

Name Chesapeake No. K-1729

Style Lavatory



## OPTIONS

Cat. No.	Type	Wt. Lbs.
<input type="checkbox"/> 520-08-M25	Single	36.0

Suffix	Description
<input type="checkbox"/> M36	Rectangular Steel Uprights
<input type="checkbox"/>	

AutoCad.dwg