

# SINK CARRIER



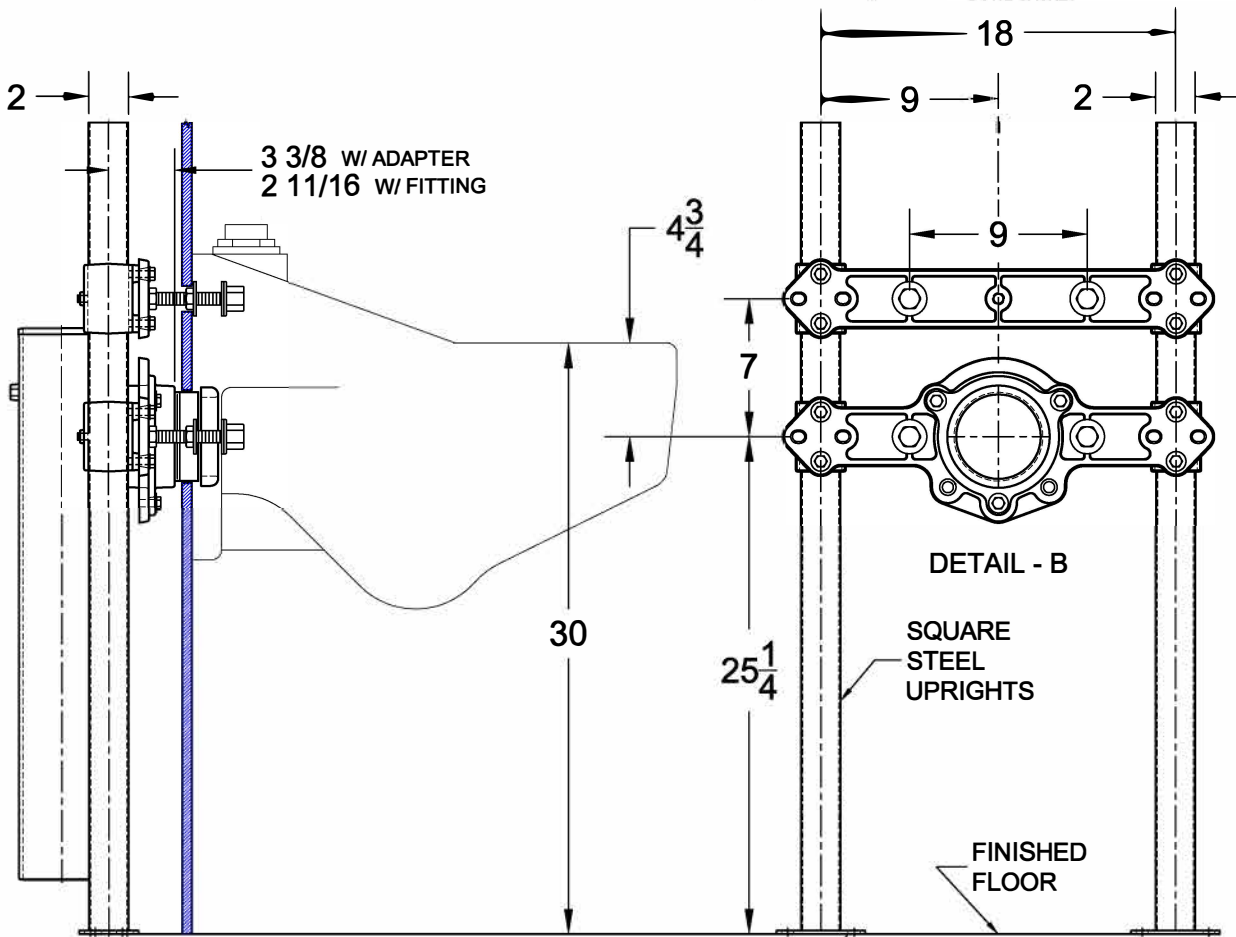
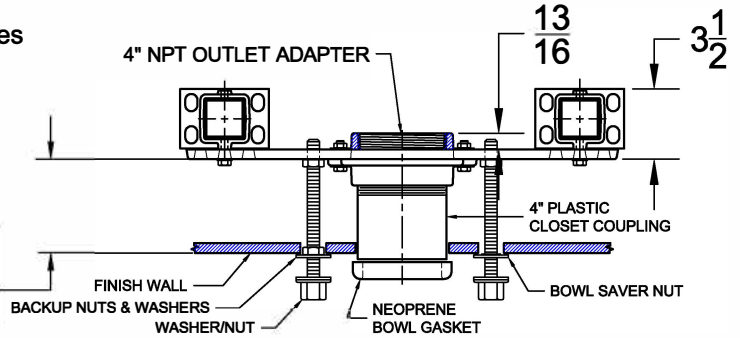
640

SHEET 1 OF 3

CLINICAL SERVICE SINK CARRIER WITH STEEL UPRIGHTS, CLOSET COUPLING, SUPPORT HARDWARE, NEOPRENE BOWL GASKET & FINISH TRIM.

Note: Contractor must verify dimensions with fixture manufacturer's rough-in data. Tyler Pipe / Wade Division accepts no responsibility for any inaccuracies in drawing.

Style	Min.	Max.
Carrier w/ Adapter	2 1/4	11 1/4
Carrier w/ Fitting	1 1/2	9 1/2



## FIXTURE

Manufacturer KOHLER

Name CAMERTON No. K-12867

Style CLINIC SINK

Cat. No.	Type	Wt. Lbs.
<input type="checkbox"/> 640	SINGLE	45.0

SEE SHEETS 2 & 3 FOR OPTIONAL FITTINGS

Approval  
Date

Customer  
Approval

Job  
Location

Job  
Name

Dimensional Data (Inches/mm) are Subject to Manufacturers Tolerance and Change Without Notice.