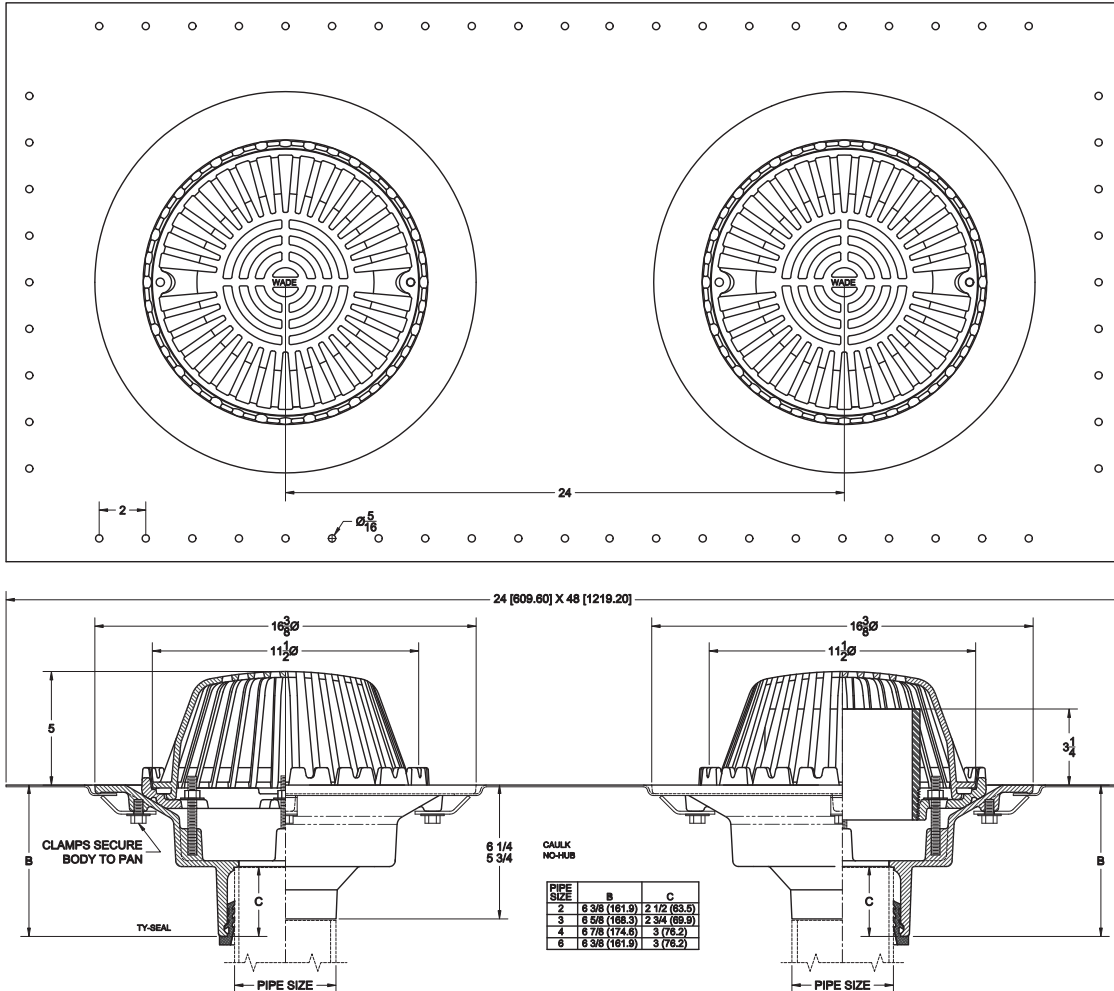


# Combination Roof Drain

# WADE

**3000-198** Cast iron combination roof and overflow drain with flange, flashing ring integral with gravel stop, polypropylene mushroom dome, bearing pan with securing package and bottom outlet.



## MODEL

Series	Pipe Size	Wt. Lbs.
<input type="checkbox"/> 3002-198	2	95
<input type="checkbox"/> 3003-198	3	96
<input type="checkbox"/> 3004-198	4	97
<input type="checkbox"/> 3005-198	5	98
<input type="checkbox"/> 3006-198	6	99
<input type="checkbox"/> 3008-198	8	102

## OPTIONS

Suffix	Description
<input type="checkbox"/> 3	Rough Bronze Dome
<input type="checkbox"/> 5	Vandal Proof
<input type="checkbox"/> 39	Galvanized Iron w/Poly Dome
<input type="checkbox"/> 42	Cast Iron Dome
<input type="checkbox"/> 42,39	Galvanized w/Cast Iron Dome
<input type="checkbox"/> 46	Aluminum Dome

## OUTLET:

<input type="checkbox"/> TY	Ty-Seal (2", 3", 4", 6")
<input type="checkbox"/> NH	No-Hub
<input type="checkbox"/> IC	Inside Caulk (2"-6")
<input type="checkbox"/> IPS	Thread

## VARIATIONS

Suffix	Description
<input type="checkbox"/> DF	Extension Flange (1", 2", 3", 4")
<input type="checkbox"/> DF-39	Galvanized Extension Flange (1", 2", 3", 4")
<input type="checkbox"/> DFS	Perforated Extension (2", 3", 4")
<input type="checkbox"/> DP	Perforated Gravel Stop