

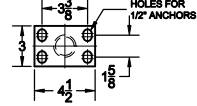
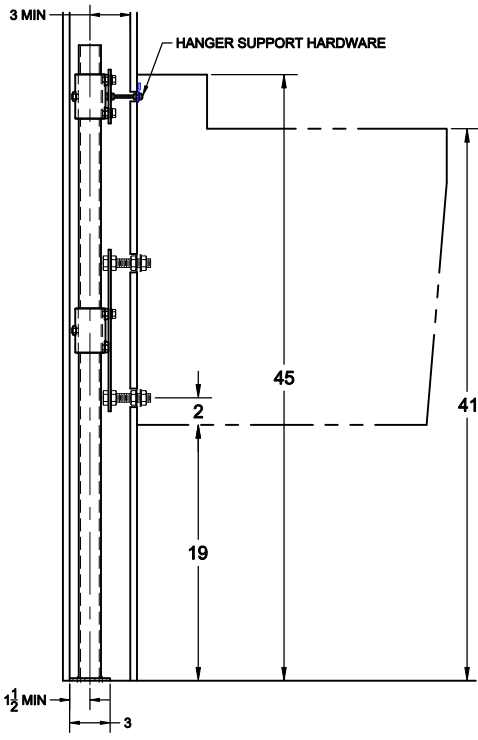
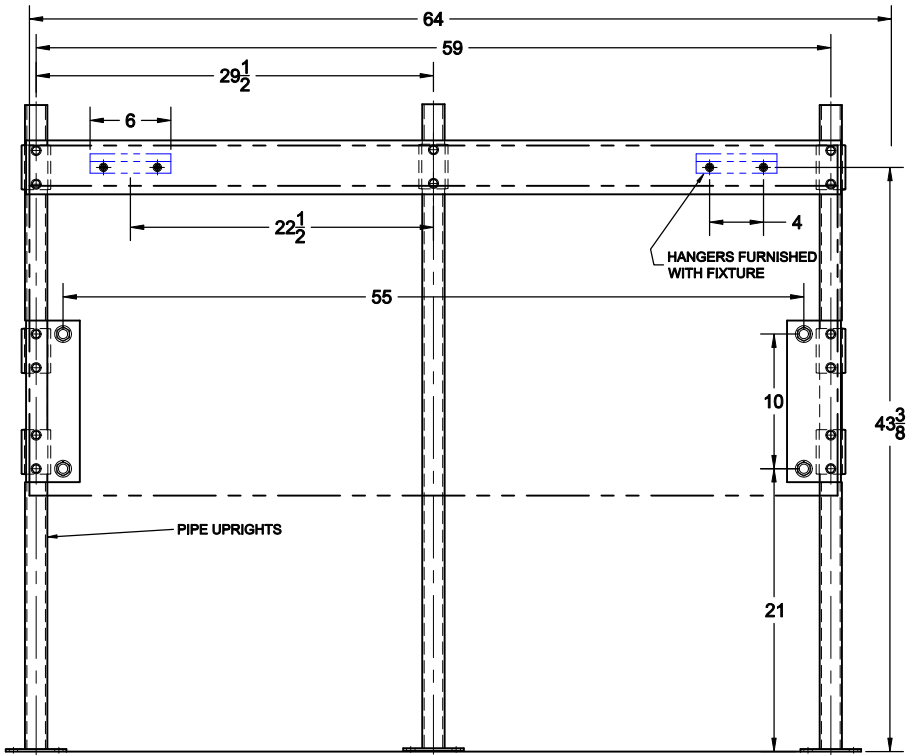
SCRUB SINK CARRIER



Approval Date
 Customer Approval
 Job Location
 Job Name
 Dimensional Data (Inches/mm) are Subject to Manufacturers Tolerance and Change Without Notice.
 Wade Division / Tyler Pipe Assumes No Responsibility For Superseded or Voided Data

623-AM11-M29

FLOOR MOUNT CARRIER WITH PIPE UPRIGHTS, WELDED BASE FEET & SUPPORT HARDWARE.



FIXTURE
 Manufacturer Willoughby
 Name Scrub Sink No. EWSSS-2
 Style 2 Station

OPTIONS

Cat. No.	Type	Wt. Lbs.	Suffix	Description
<input type="checkbox"/> 623-AM11-M29	SGL	106.0	<input type="checkbox"/> M36	SQUARE UPRIGHTS

NOTE: CONTRACTOR MUST VERIFY DIMENSIONS WITH FIXTURE MANUFACTURER ROUGH-IN DATA
 TYLER PIPE / WADE DIVISION ACCEPTS NO RESPONSIBILITY FOR ANY INACCURACIES IN DRAWING

AutoCad.dwg