

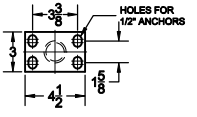
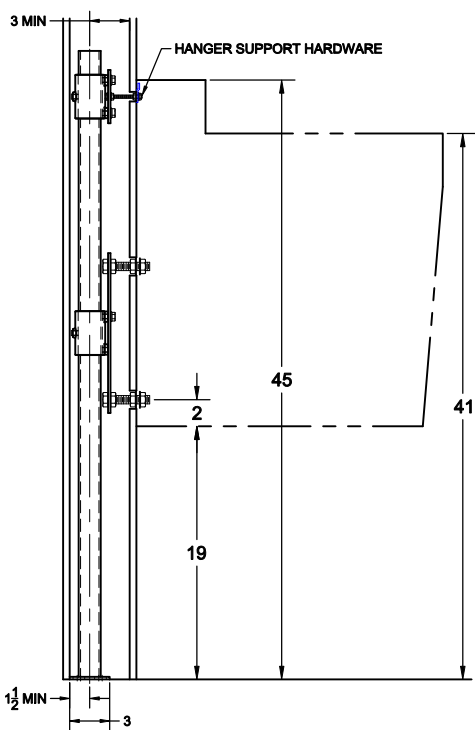
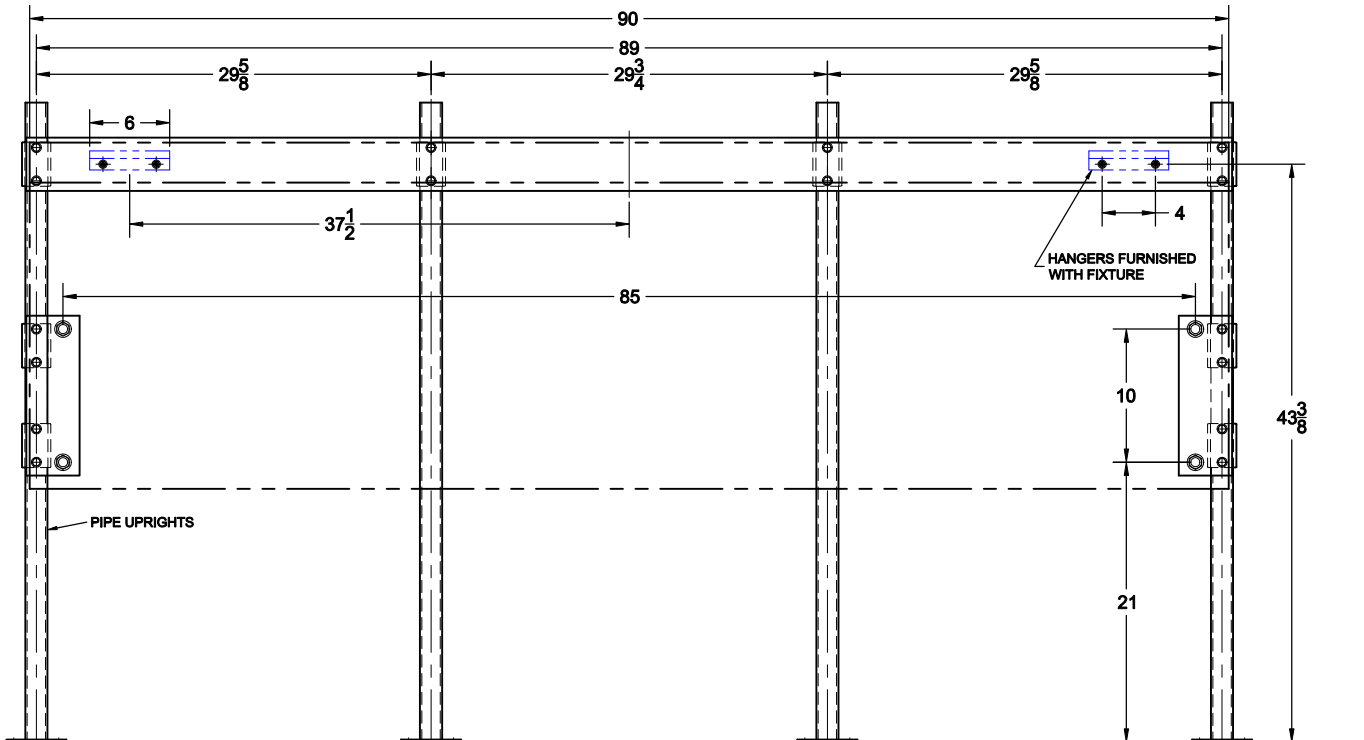
# SCRUB SINK CARRIER



Approval Date \_\_\_\_\_  
 Customer Approval \_\_\_\_\_  
 Job Location \_\_\_\_\_  
 Job Name \_\_\_\_\_

**624-AM11-M29**

FLOOR MOUNT CARRIER WITH PIPE UPRIGHTS, WELDED BASE FEET & SUPPORT HARDWARE.



## FIXTURE

Manufacturer Willoughby

Name Scrub Sink No. EWSSS-3

Style 3 Station

NOTE: ALL DIMENSIONS FOR THIS CARRIER MUST BE VERIFIED WITH THE FIXTURE MANUFACTURER - WILLOUGHBY DOES NOT PROVIDE HANGER LOCATION DIMENSIONS. A B & C MUST BE CONFIRMED.

## OPTIONS

| Cat. No.                              | Type | Wt. Lbs. | Suffix                       | Description     |
|---------------------------------------|------|----------|------------------------------|-----------------|
| <input type="checkbox"/> 624-AM11-M29 | SGL  | 106.0    | <input type="checkbox"/> M36 | SQUARE UPRIGHTS |

NOTE: CONTRACTOR MUST VERIFY DIMENSIONS WITH FIXTURE MANUFACTURER ROUGH-IN DATA TYLER PIPE / WADE DIVISION ACCEPTS NO RESPONSIBILITY FOR ANY INACCURACIES IN DRAWING

AutoCad.dwg