

# LAVATORY CARRIER



## FIXTURE

Manufacturer Eljer

Name Blair No. 051-1304

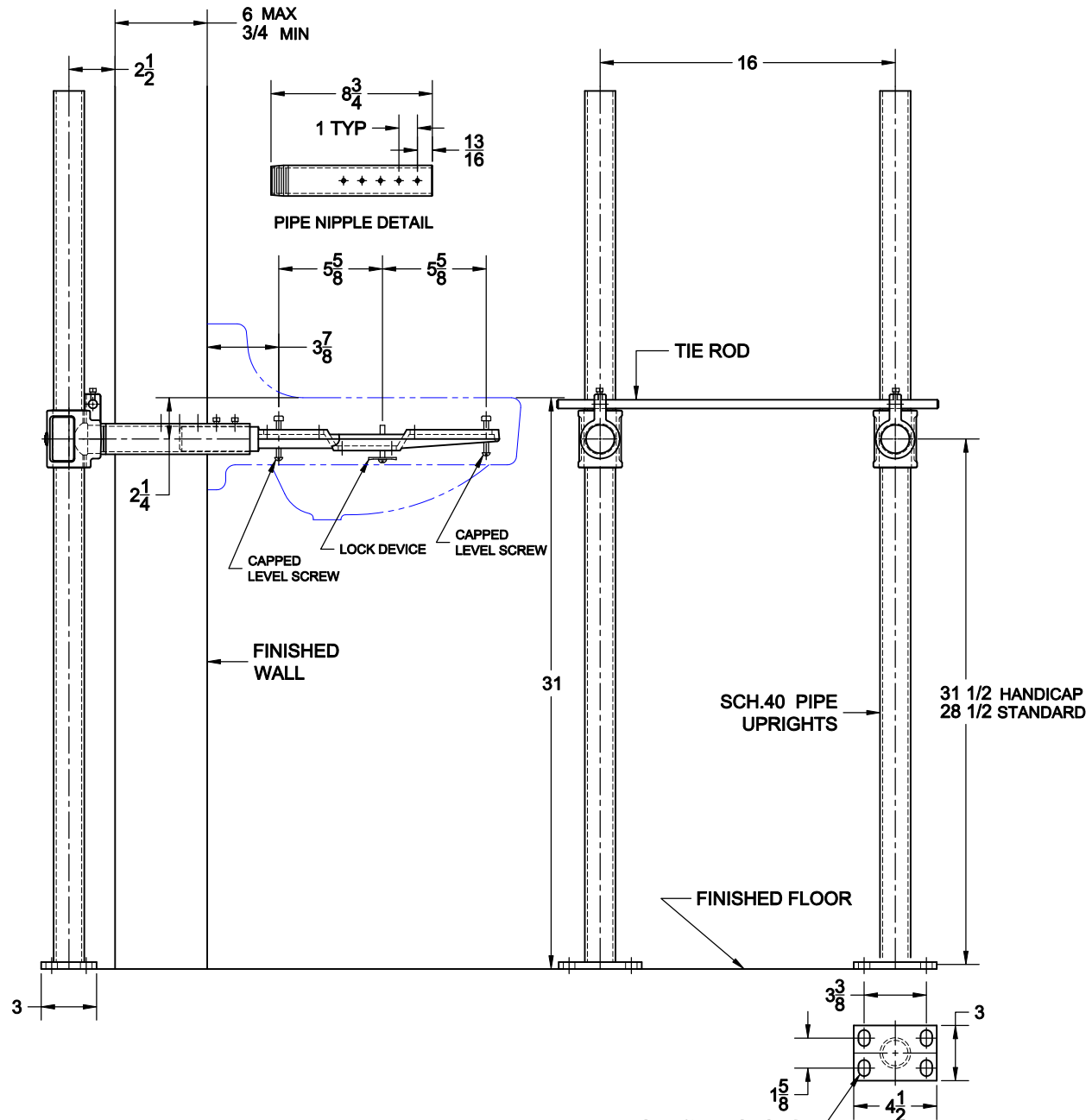
Style Lavatory

Approval Date \_\_\_\_\_  
 Customer Approval \_\_\_\_\_  
 Job Location \_\_\_\_\_  
 Job Name \_\_\_\_\_

Dimensional Data (Inches/mm) are Subject to Manufacturers Tolerance and Change Without Notice. Wade Division / Tyler Pipe Assumes No Responsibility For Superseded or Voided Data

520-08

CONCEALED ARM CARRIER WITH PIPE UPRIGHTS, WELDED BASE FEET, C.I. HEADER COUPLINGS, PIPE NIPPLES & HARDWARE.



### OPTIONS

Cat. No.	Type	Wt. Lbs.	Suffix	Description
<input type="checkbox"/> 520-08	SGL	36.0	<input type="checkbox"/> M36	SQUARE UPRIGHTS

NOTE: CONTRACTOR MUST VERIFY DIMENSIONS WITH FIXTURE MANUFACTURER ROUGH-IN DATA  
 TYLER PIPE / WADE DIVISION ACCEPTS NO RESPONSIBILITY FOR ANY INACCURACIES IN DRAWING

AutoCad.dwg