

Lavatory Carrier



520-08

Concealed arm carrier with pipe uprights, leveling screws, lock device & welded base feet.

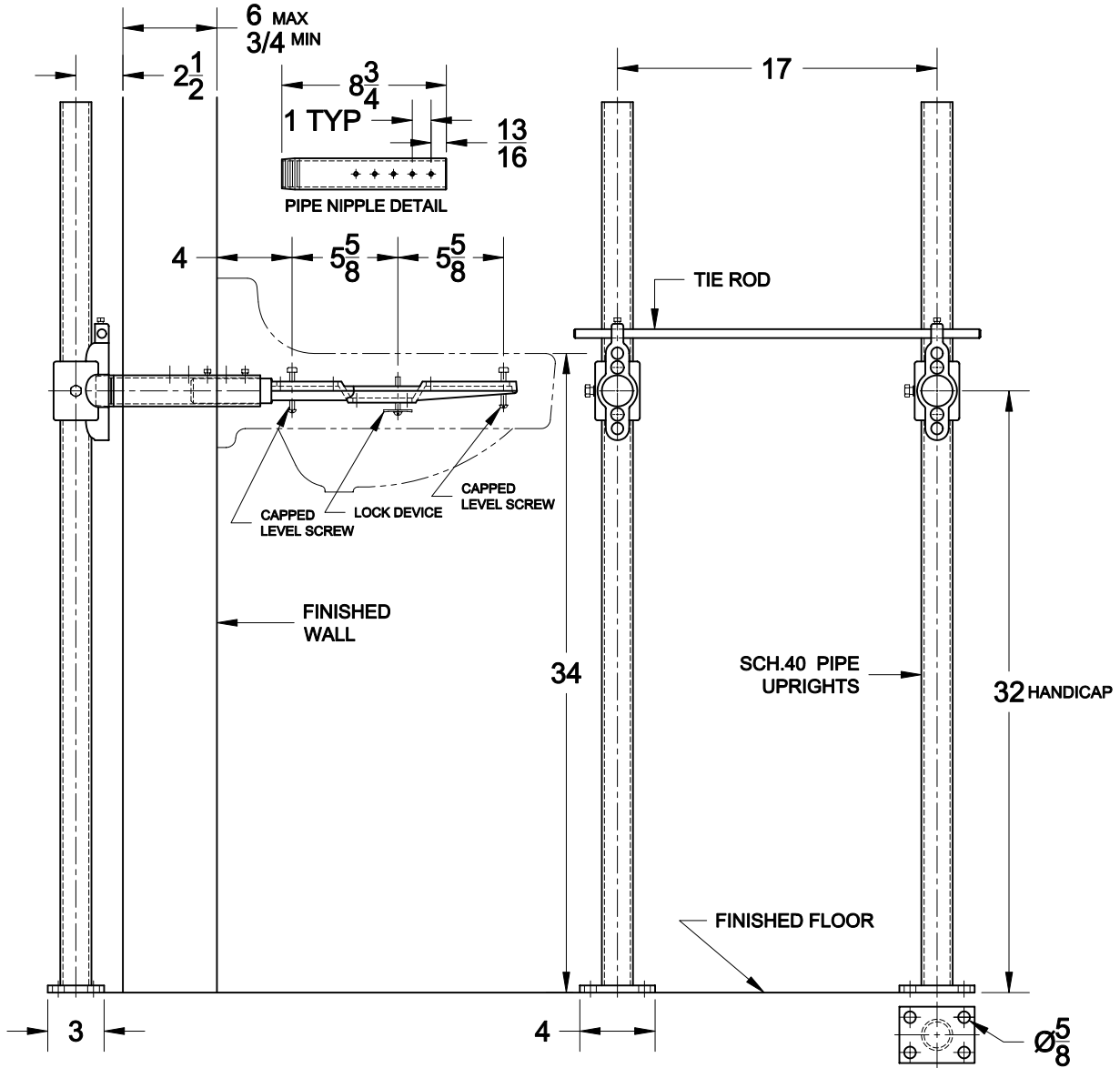
FIXTURE

Manufacturer Eljer

Name Signature No. 051-2101,41,51

Style Lavatory 051-2104,44,54

051-2108,48,58



OPTIONS

Cat. No.	Type	Wt. Lbs.	Suffix	Description
<input type="checkbox"/> 520-08	Single	36.0	<input type="checkbox"/> M36	Rectangular Steel Uprights
			<input type="checkbox"/>	

AutoCad.dwg