

# LAVATORY CARRIER



420

HANGER PLATE CARRIER WITH PIPE UPRIGHTS,  
WELDED BASE FEET & HARDWARE.

FIXTURE

Manufacturer Crane

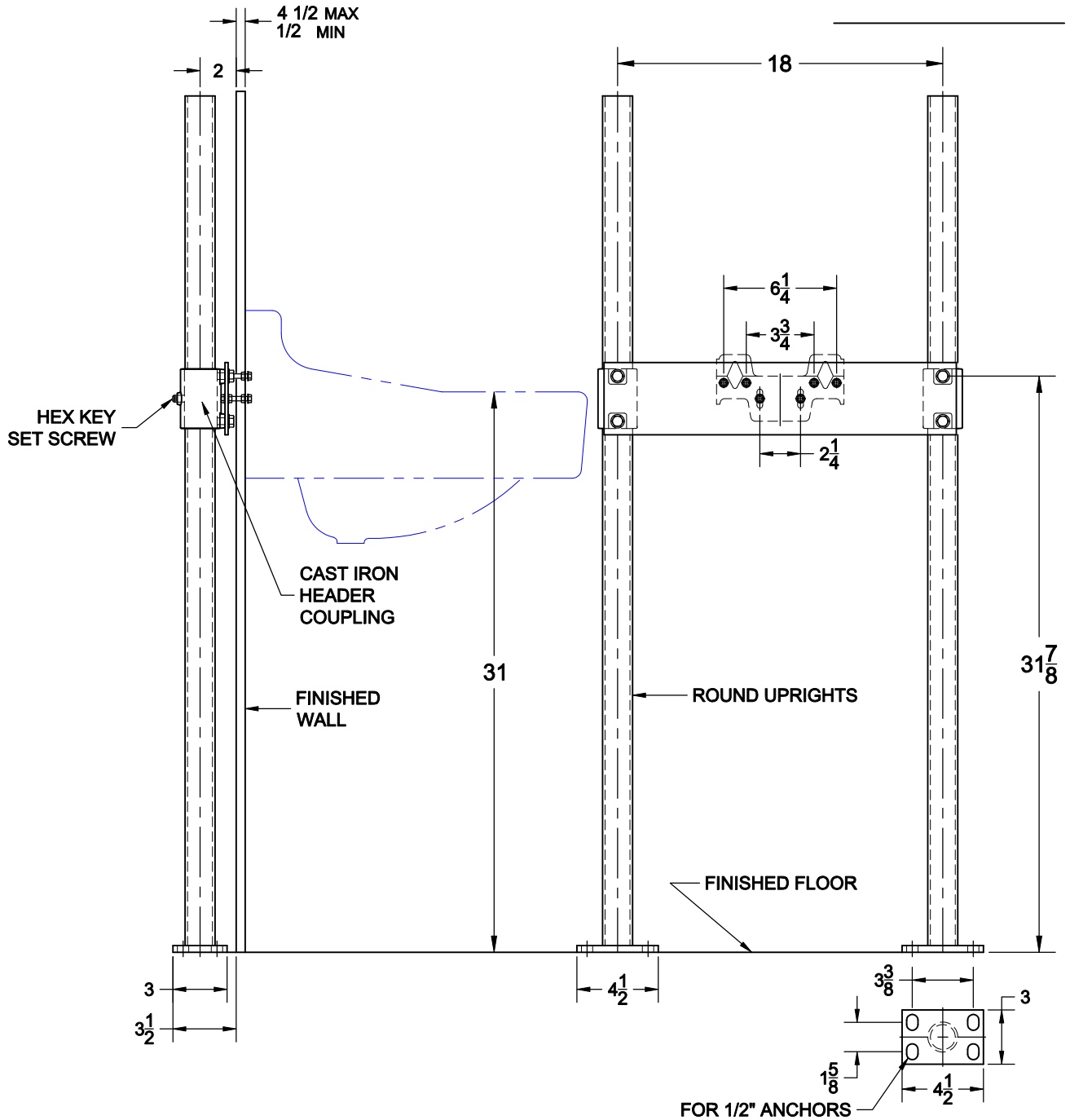
Name Harwich No. 1304V

Style Lavatory

Approval Date \_\_\_\_\_  
Customer Approval \_\_\_\_\_  
Job Location \_\_\_\_\_  
Job Name \_\_\_\_\_

Wade Division / Tyler Pipe Assumes No Responsibility For Superseded or Voided Data

Dimensional Data (Inches/mm) are Subject to Manufacturers Tolerance and Change Without Notice.



OPTIONS

Cat. No.	Type	Wt. Lbs.	Suffix	Description
<input type="checkbox"/> 420	SGL	30.0	<input type="checkbox"/> M36	SQUARE UPRIGHTS

NOTE: CONTRACTOR MUST VERIFY DIMENSIONS WITH FIXTURE MANUFACTURER ROUGH-IN DATA  
TYLER PIPE / WADE DIVISION ACCEPTS NO RESPONSIBILITY FOR ANY INACCURACIES IN DRAWING

AutoCad.dwg