

LAVATORY CARRIER



420

HANGER PLATE CARRIER WITH PIPE UPRIGHTS,
WELDED BASE FEET & HARDWARE.

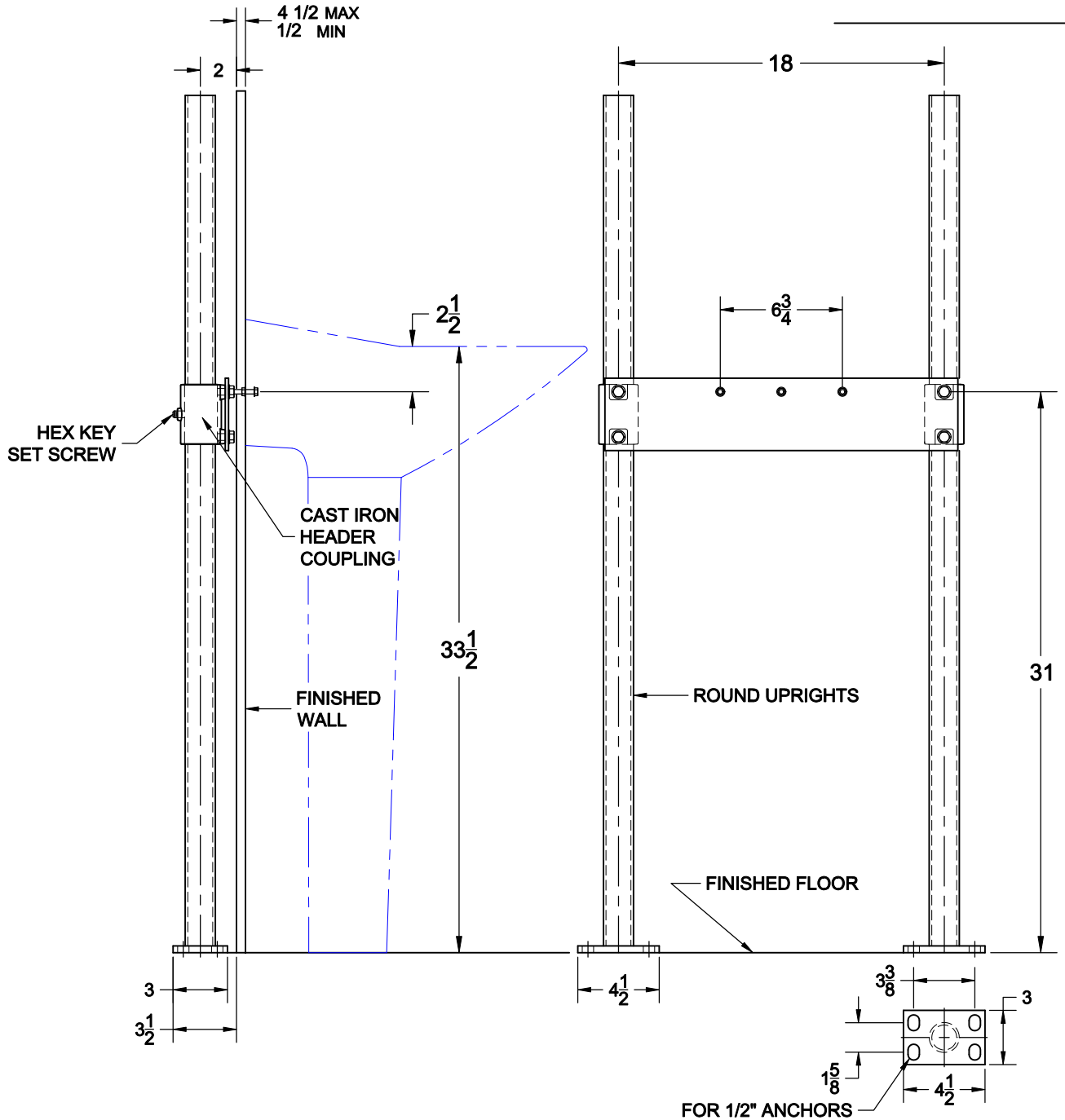
FIXTURE

Manufacturer Crane

Name Erica No. 121V

Style Lavatory 121S

121H



OPTIONS

Cat. No.	Type	Wt. Lbs.	Suffix	Description
<input type="checkbox"/> 420	SGL	30.0	<input type="checkbox"/> M36	SQUARE UPRIGHTS

NOTE: CONTRACTOR MUST VERIFY DIMENSIONS WITH FIXTURE MANUFACTURER ROUGH-IN DATA
TYLER PIPE / WADE DIVISION ACCEPTS NO RESPONSIBILITY FOR ANY INACCURACIES IN DRAWING

AutoCad.dwg

Approval Date _____
 Customer Approval _____
 Job Location _____
 Job Name _____
 Dimensional Data (Inches/mm) are Subject to Manufacturers Tolerance and Change Without Notice.
 Wade Division / Tyler Pipe Assumes No Responsibility For Superseded or Voided Data