

# LAVATORY CARRIER



Approval  
Date

Customer  
Approval

Job  
Location

Job  
Name

Dimensional Data (Inches/mm) are Subject to Manufacturers Tolerance and Change Without Notice. Wade Division / Tyler Pipe Assumes No Responsibility For Superseded or Voided Data

430

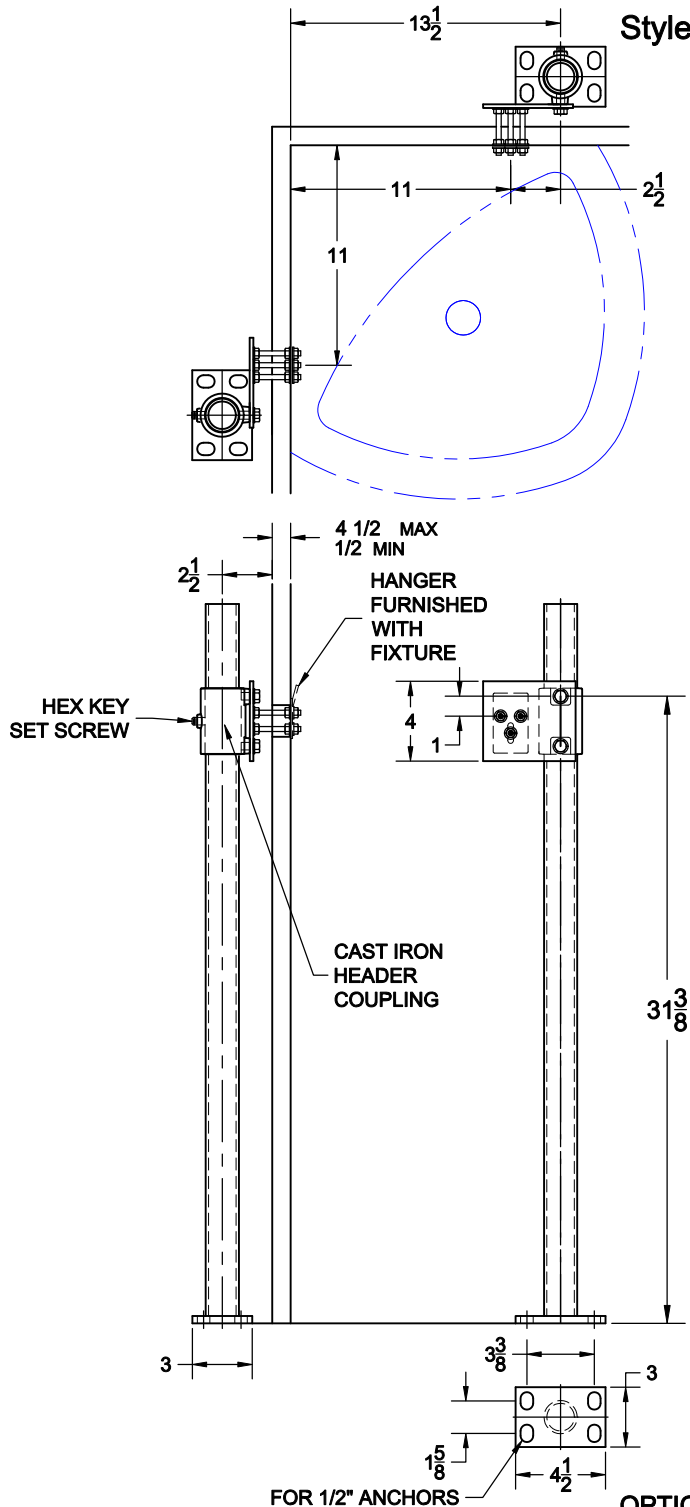
CORNER LAVATORY CARRIER WITH PIPE UPRIGHTS, WELDED BASE FEET AND HANGER SUPPORT HARDWARE

FIXTURE

Manufacturer Eljer

Name Cornice No. 051-1414

Style Corner



OPTIONS

Cat. No.	Type	Wt. Lbs.	Suffix	Description
<input type="checkbox"/> 430	SGL	50	<input type="checkbox"/> M36	SQUARE UPRIGHTS

NOTE: CONTRACTOR MUST VERIFY DIMENSIONS WITH FIXTURE MANUFACTURER ROUGH-IN DATA  
TYLER PIPE / WADE DIVISION ACCEPTS NO RESPONSIBILITY FOR ANY INACCURACIES IN DRAWING

AutoCad.dwg